

L-868 Class 1A Spacer Ring

Compliance and Applications

Certified to FAA AC AC150/5345-42 (Current Revision)
L868 Class 1A; Size: A=8", B=12", C=15"

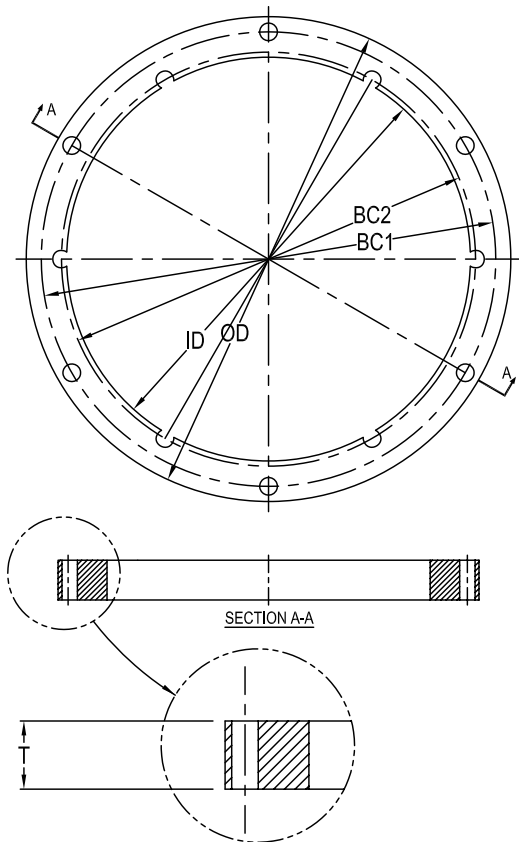
L-868 Class 1A Spacer Ring.

Specifications

- Spacer rings made to Class 1A:
 - 1/16" to 1/4" are zinc plated with O.D. wash
 - 5/16" to 2" are galvanized to ASTM-A123/A123M-02
- (6) 7/16" Ø equally spaced, thru holes
- Available from 1/16" minimum to 2-3/16" maximum thickness, specify thickness (1/16" increments) at time of order
- Size B (1/16" through 1/4" thick) come with double bolt patterns
- Spacers above 1/4" thickness are shipped with:
 - (6) 3/8"-16 x (ring thickness + 1-1/8" min.) stainless hex head cap screws
 - (6) 3/8", 2 piece locking washers



Shown with double bolt pattern



Ordering Codes

Part #	OD	ID	BC1	BC2
BA-0821-XX* 8" L-868A	8" (203.2)	6.5" (165.1)	7.25" (184.2)	
BA-5421-XX* 12" L-868B	12" (305)	10" (254)	11.25" (285.8)	10.25" (260.4)
BA-5521-XX* 15" L-868C	15" (381)	13" (330.2)	14.25" (362)	13.25" (336.5)
BA-5721-XX* 15" L-868C	17.375" (441.3)	13" (330.2)	14.25" (362)	

(length in mm)

* Specify ring thickness in 1/16" increments, 1/16" min. to 2-3/16" max.
(e.g., 12/16" = "-12")

+1.800.806.3548 USA
+1.916.394.2800 Worldwide
+1.916.394.2809 Fax

www.flightlight.com
sales@flightlight.com

Flight Light Inc., 2708 47th Ave.
Sacramento, CA, 95822, USA