

# L-868 Class 1A Light Base Extension

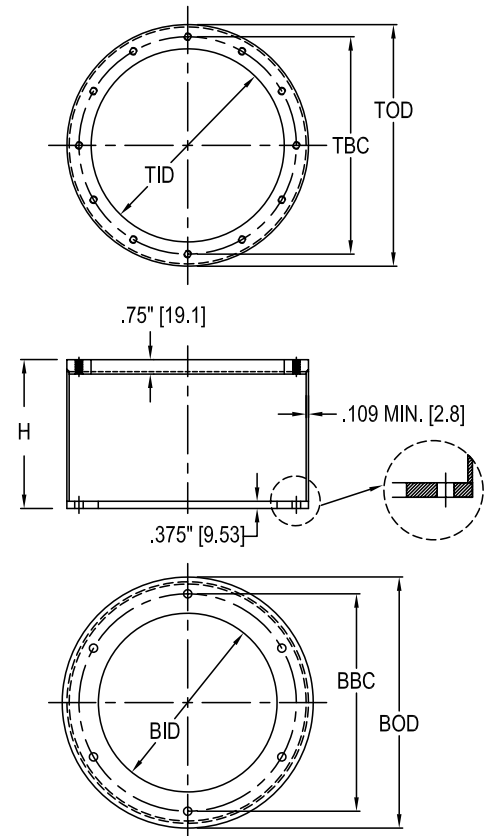
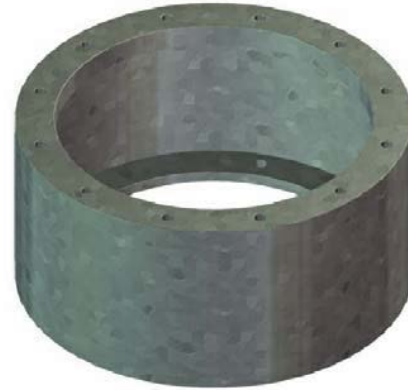
## Compliance and Applications

Certified to FAA AC 150/5345-42 (Current Revision)  
L-868 Class 1A; Size: A=8", B=12", C=15"

Extension for L-868 base cans.

## Specifications

- Steel construction with hot dip galvanized finish
- Galvanized to ASTM-A123/A123M-02.
- Diameter: A=8" (7.25" BC), B=12" (11.25" BC), C=15" (14.25" BC)
- Available from 2.25" minimum to 8" maximum thickness, specify thickness (1/16" increments) at time of order
- (12) 3/8"-16 equally spaced, tapped holes are aligned with bottom holes
- (6) 7/16" Ø equally spaced, thru holes
- Extensions are shipped with:
  - (6) 3/8"-16 x 1" stainless hex head screws
  - (6) 3/8", 2 piece locking washers
- Size A, 8" base extension top holes are located at 30°, 60°, 120°, 150°, 210°, 240°, 300°, 330°



## Ordering Codes

Part #	TOD & BOD	TBC	BBC	TID	BID
<b>BA-0829X-XXXX*</b> 8" L-868A	8.5" (215.9)	7.25" (184.2)	7.25" (184.2)	6.5" (165.1)	6.5" (165.1)
<b>BA-2419X-XXXX*</b> 12" L-868B	12.5" (317.5)	11.25" (285.8)	11.25" (285.8)	10" (254)	10" (254)
<b>BA-3519X-XXXX*</b> 15" L-868C	15.5" (393.7)	14.25" (362)	14.25" (362)	13" (330.2)	12.375" (314.3)

(length in mm)

\* Specify extension thickness in 1/16" increments, 2.25" min. to 8" max.  
(e.g., 3-5/16" = "-0305")

+1.800.806.3548 USA  
+1.916.394.2800 Worldwide  
+1.916.394.2809 Fax

[www.flightlight.com](http://www.flightlight.com)  
[sales@flightlight.com](mailto:sales@flightlight.com)

Flight Light Inc., 2708 47th Ave.  
Sacramento, CA, 95822, USA