

L-868 Class 1A Light Base Bottom Section

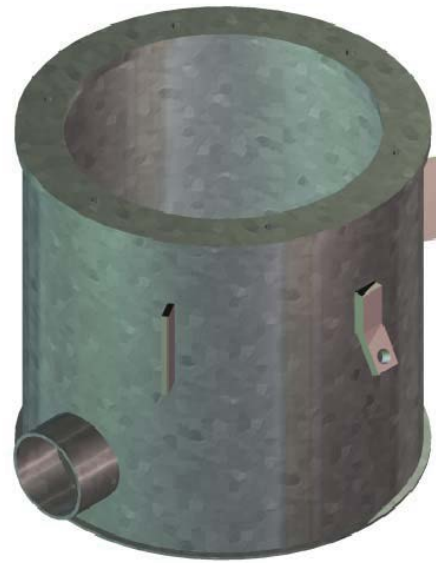
Compliance and Applications

Certified to FAA AC 150/5345-42 (Current Revision)
L-868 Class 1A; Size: A=8", B=12", C=15"

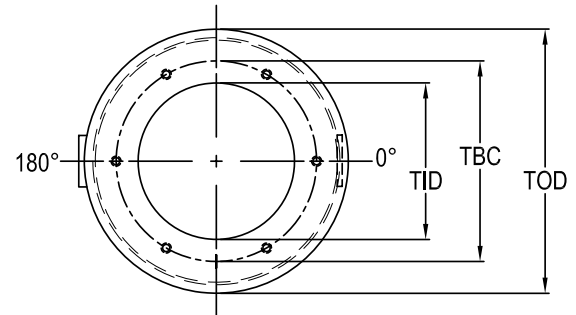
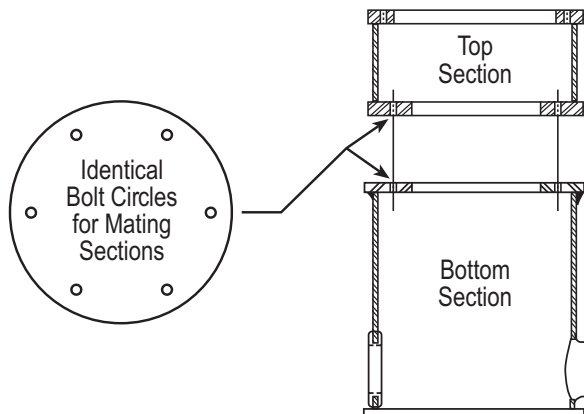
L-868 light base bottom section. Facilitates overlay paving.

Specifications

- Steel construction with hot dip galvanized finish
- Galvanized to ASTM-A123/A123M-02
- Diameter: A=8" (6.25" BC), B=12" (10.25" BC), C=15" (13.25" BC)
- Height: 12" standard (4.5" minimum)
- (6) 3/8"-16 equally spaced, tapped holes are located over conduit openings
- Conduit openings (min. 2) are:
 - Located 180° apart, 2.5" up from bottom
 - Various sizes and locations are available
 - Protective plug installed in threaded hubs
 - Flex Connex Grommets are shipped separately
- Internal/external ground straps are standard



Shown with optional fins



Ordering Codes

Part #	OD	TOD & BOD	TBC	TID
BA-4020-XX* 8" L-868A	8.5" (215.9)	9" (228.6)	6.25" (159.6)	5.25" (134.1)
BA-4420-XX* 12" L-868B	12.5" (317.5)	13.5" (342.9)	10.25" (260.4)	9.25" (235)
BA-4520-XX* 15" L-868C	15.5" (393.7)	16" (406.4)	13.25" (336.6)	12.375" (314.3)

(length in mm)

* Specify height in inches, 12" standard (e.g., 10" = "-10")(4.5" min.)

