

# L-868 Class 1A Flange Ring with Pavement Dam

## Compliance and Applications

Certified to FAA AC 150/5345-42 (Current Revision)  
L-868 Class 1A; Size: B=12", C=15"

L-868 Class 1A Flange Ring with Pavement Dam.

## Specifications

- Class 1A: Zinc plated with O.D. wash
- Diameter: B=12" (11.25" BC), C=15" (14.25" BC)
- Available from .25" to 2" thickness, specify thickness (1/16" increments) at time of order
- (6) 7/16" equally spaced, thru holes
- 5/8" standard pavement dam height (L-868C: 1-1/8")
- Flange Rings are shipped with:
  - (6) 3/8"-16 x (ring thickness + 1-1/8" min.) stainless hex head cap screws
  - (6) 3/8", 2 piece locking washers
  - (1) 'O' ring gasket

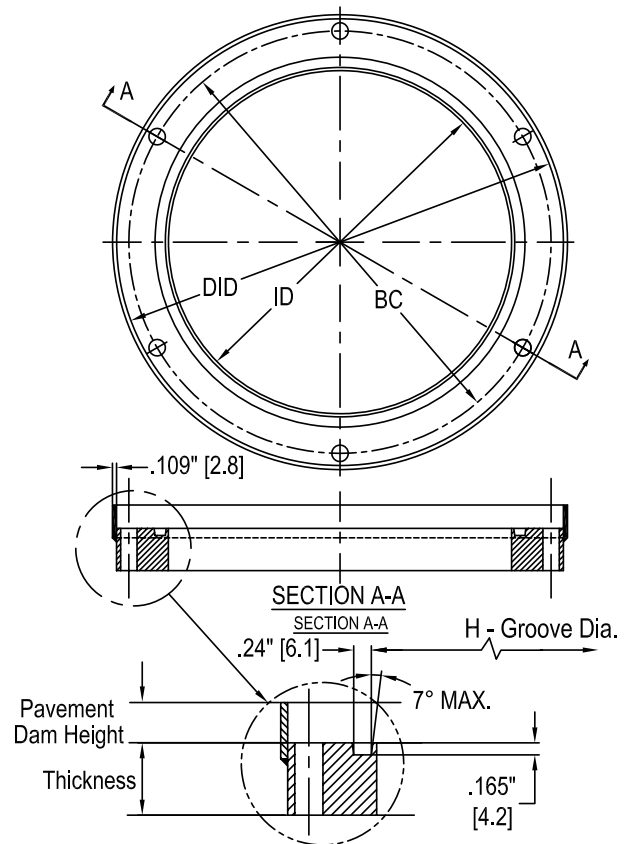


## Ordering Codes

Part #	DID	ID	BC	H
<b>BA-5402-XX*-Y</b> 12" L-868B	12.125" (308)	10" (254)	11.25" (285.8)	10.145" (257.7)
<b>BA-5502-XX*-Y</b> 15" L-868C	15.125" (384.2)	13" (330.2)	14.25" (362)	13.145" (333.9)
<b>BA-5702-XX*-Y</b> 15" L-868C	17.375" (441.3)	13" (330.2)	14.25" (362)	13.145" (333.9)

(length in mm)

\* Specify ring thickness in 1/16" increments, .25" to 2" max.  
(e.g., 12/16" = "-12")



+1.800.806.3548 USA  
+1.916.394.2800 Worldwide  
+1.916.394.2809 Fax

[www.flightlight.com](http://www.flightlight.com)  
[sales@flightlight.com](mailto:sales@flightlight.com)

Flight Light Inc., 2708 47th Ave.  
Sacramento, CA, 95822, USA