

L-867/L-868 Class 1A Blank Cover Plates

Compliance and Applications

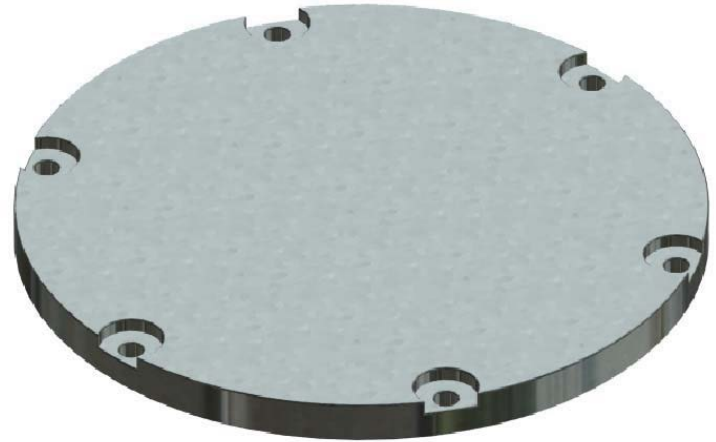
Certified to FAA AC 150/5345-42 (Current Revision)

L-867 B, D, E; L-868 A, B, C

Size: A=8", B=12", C=15", D=16", E=24"

Blank covers are used to provide a cover for bases when no light fixture is to be installed.

- Blank covers must be metallic and meet the applicable dimensional requirements of the type base to which they are attached. For Type L-868 load bearing bases, the cover must be equal in thickness to the light fixture.
- For Type L-867B and Type L-867D non-load bearing bases, the cover must be a minimum of 3/8" (10 mm). For Type L-867E bases, the cover must be a minimum of 1/2" (13 mm).
- Covers weighing more than 30 lb. (13.6 kg) must have (2) opposite holes of the (6)7/16" (11 mm) through holes tapped 1/2"-13 to affix a lifting eye bolt for ease of removal.
- All cover plates 1/2" (13 mm) or thicker must have all bolt holes counter-bored 1-1/8" x 3/8" (29 mm x 10 mm) deep.



Specifications

- Steel construction with hot dip galvanized finish
- Class 1A: Galvanized A-36 to ASTM-A123/A123M-02
- (6) 7/16" Ø equally spaced, thru holes. (Note: 8" L-868A covers do not have holes on X-X axis). For covers thicker than .75", (2) opposite holes (0°, 180°) must be tapped 1/2"-13.
 - Ø1-1/8" x 3/8" deep counter bore on L-868 covers 1/2" & thicker
 - Ø1-1/8" x 1/4" deep counter bore on L-867 covers 1/2" & thicker
- Optional materials: Class 1B VEGA and 304 stainless steel
- Optional variations: grounding, engraved markings, threaded openings, thicker sizes, center drilled
- Bolts and gaskets NOT included.

Ordering Codes

Part #	Min. T	BC	OD
BA-1000-06* 12" L-867B	.375" (9.5)	10.25" (260)	13.5" (343)
BA-2000-06* 16" L-867D	.375" (9.5)	14.25" (362)	17.375" (441)
BA-7000-08* 24" L-867E	.5" (12.7)	21.5" (546.1)	24" (609.6)
BA-8000-12* 8" L-868A	.75" (19.1)	7.25" (184.2)	8" (203.2)
BA-4000-12* 12" L-868B	.75" (19.1)	11.25" (285.8)	12" (304.8)
BA-5000-20* 15" L-868C	1.25" (31.75)	14.25" (362)	15" (381)

(length in mm)

* Specify cover thickness.

