

L-867 Class 1A Spacer Ring

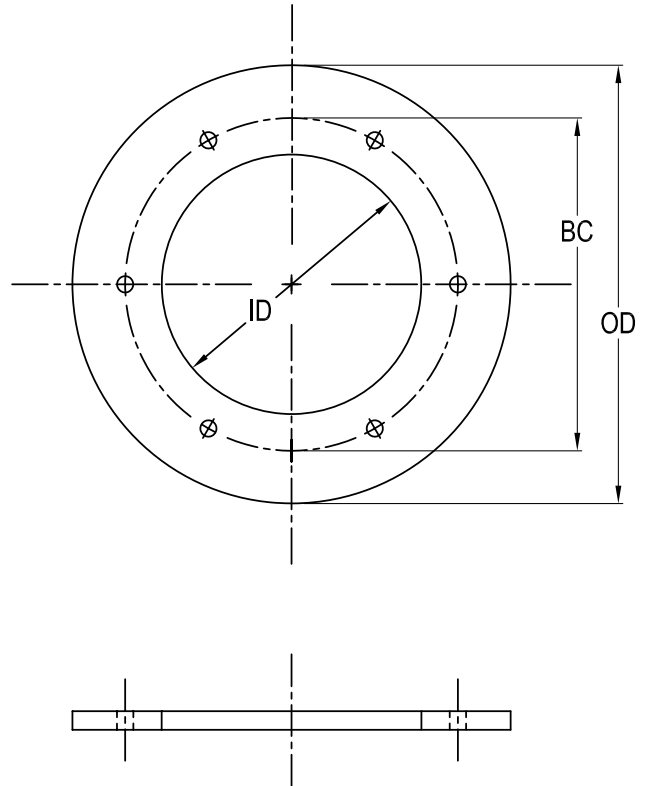
Compliance and Applications

Certified to FAA AC AC150/5345-42 (Current Revision)
L-867 Class 1A; Size: B=12", D=16", E=24"

Spacer ring for L-867 base cans.

Specifications

- Galvanized to ASTM-A123/A123M-02
- (6) 7/16" Ø equally spaced, thru holes
- Available from 1/16" minimum to 1-7/8" maximum thickness, specify thickness (1/16" increments) at time of order
- Spacer ring shipped with:
(6) 3/8"-16 x (ring thickness + 1/2" min. length) stainless hex head cap screws (excluding sizes less than 1/4")



Ordering Codes

Part #	OD	BC	ID
BA-2006-XX* 12" L-867B	13.5" (342.9)	10.25" (260.4)	9.25" (235)
BA-6003-XX* 16" L-867D	17.375" (441.3)	14.25" (362)	12.375" (314.3)
BA-7003-XX* 24" L-867E	24" (609.6)	21.5" (546.1)	20" (508)

(length in mm)

* Specify ring thickness in 1/16" increments, 1/16" min. to 1-7/8" max.
(e.g., 12/16" = "-12")

+1.800.806.3548 USA
+1.916.394.2800 Worldwide
+1.916.394.2809 Fax

www.flightlight.com
sales@flightlight.com

Flight Light Inc., 2708 47th Ave.
Sacramento, CA, 95822, USA