

# L-867 Class 1A Light Base Extension

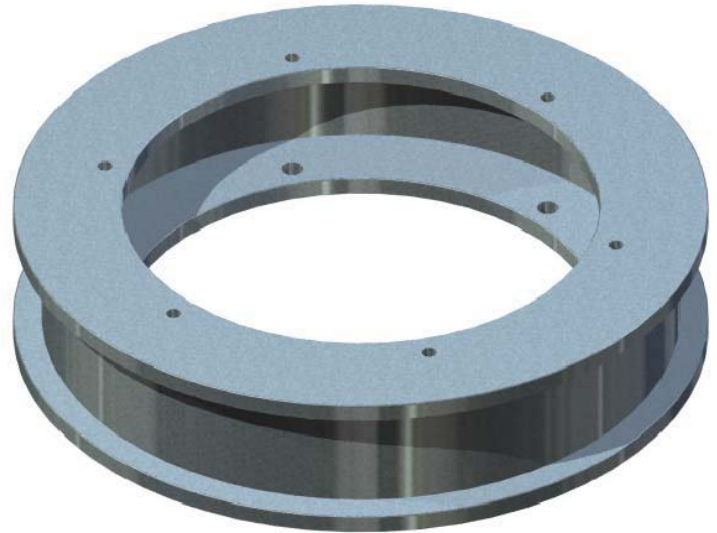
## Compliance and Applications

Certified to FAA AC 150/5345-42 (Current Revision)  
L-867 Class 1A; Size: B=12", D=16", E=24"

Extension for L-867 base cans.

## Specifications

- Steel construction with hot dip galvanized finish
- Galvanized to ASTM-A123/A123M-02
- Diameter: B=12" (10.25" BC), D=16" (14.25" BC), E=24" (21.5" BC)
- Available from 1.75" minimum to 8" maximum thickness, specify thickness (1/16" increments) at time of order
- (6) 3/8"-16 equally spaced, tapped holes
- (6) 7/16" Ø equally spaced, thru holes aligned with holes in top ring

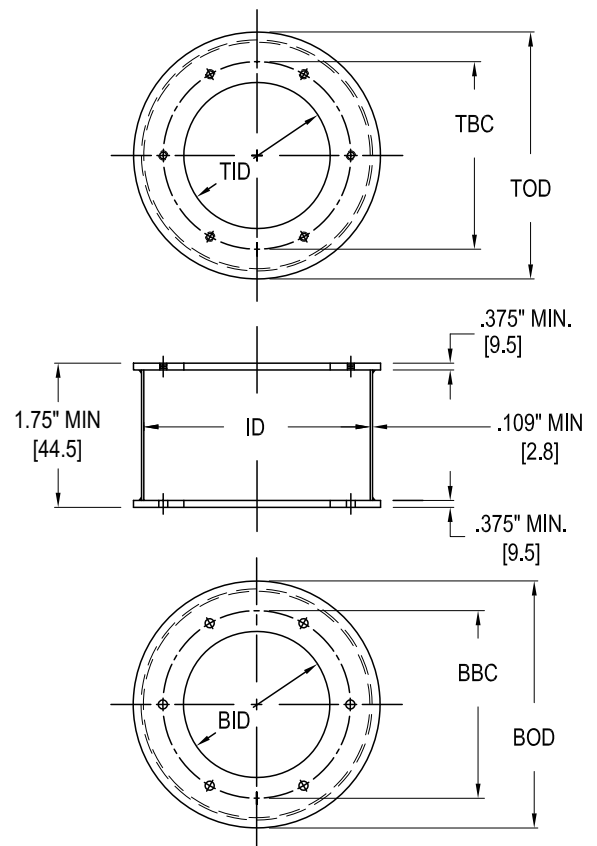


## Ordering Codes

Part #	TOD & BOD	ID	TBC & BBC	TID & BID
<b>BA-2007-XXXX*</b> 12" L-867B	13.5" (342.9)	12.25" (311.2)	10.25" (260.4)	9.25" (235)
<b>BA-6004-XXXX*</b> 16" L-867D	17.375" (441.3)	16.25" (412.8)	14.25" (362)	12.375" (314.3)
<b>BA-7004-XXXX*</b> 24" L-867E	24" (609.6)	22.5" (571.5)	21.5" (546.1)	20" (508)

(length in mm)

\* Specify extension thickness in 1/16" increments, 1.75" min. to 8" max.  
(e.g., 3-5/16" = "-0305")



+1.800.806.3548 USA  
+1.916.394.2800 Worldwide  
+1.916.394.2809 Fax

[www.flightlight.com](http://www.flightlight.com)  
[sales@flightlight.com](mailto:sales@flightlight.com)

Flight Light Inc., 2708 47th Ave.  
Sacramento, CA, 95822, USA