

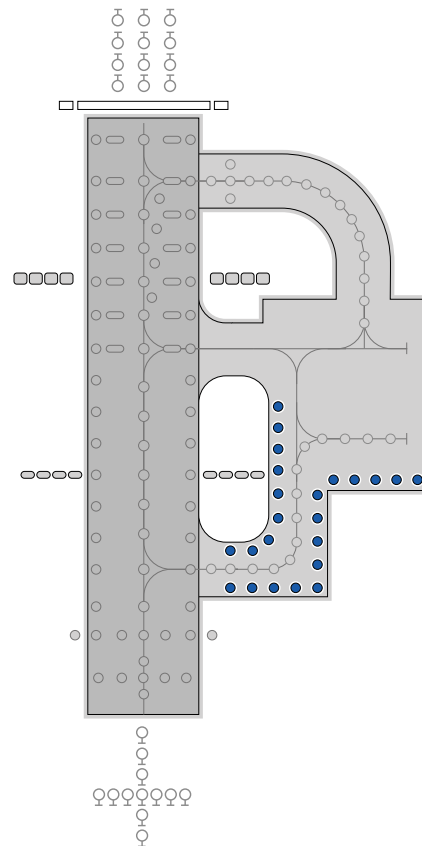
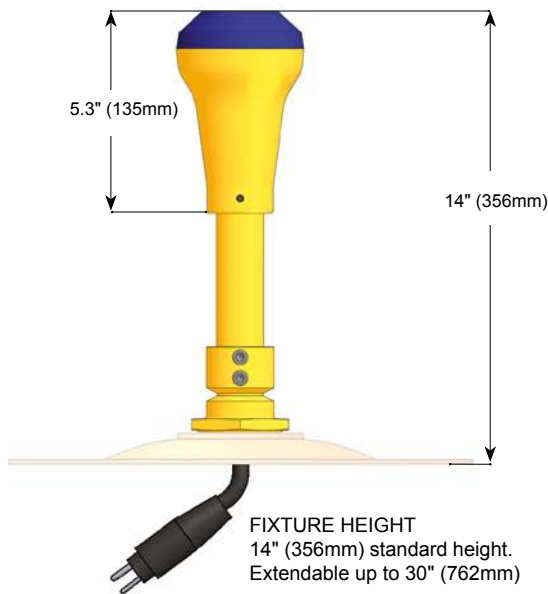
IR861T | L-861T(L)

IRIS LED Elevated Taxiway and Apron Edge, Omni-Directional, High Intensity Lighting Solutions

Compliance and Applications

- ICAO Annex 14, Vol 1
- FAA AC 150/5345-46
- FAA Engineering Brief No. 67
- IEC 61827
- EASA
- Stannag 3316 (NATO)

IRIS LED high intensity, omni-directional taxiway and apron edge fixture suitable for CAT III all weather operation airfield ground lighting (agl) systems. The goal of the IRIS range is to enhance the efficiency of an airfield by optimizing power consumption, increasing reliability and reducing costs to the airport.



Ordering Codes

IR861 (T)(L) ○ ○ ○ ○ ○ ○

Application
L-861T(L) Taxiway Edge

Beam Type
7 = Omni directional (360°)

Color
B = Blue

Specification
1 = FAA
2 = ICAO

Mounting Height
14 = 14" (standard)
24 = 24" (extended)
30 = 30" (extended)

Fixture Options
1 = 1.5" Frangible Coupling (FL-FC1.5)
2 = 2" Frangible Coupling (FL-FC2.0)

Packaging

- Net weight: 1.9 lb. (0.86kg)
- Gross weight: 2.2 lb. (1.0kg) (boxed)
- Box: 14.2" (360mm) (L) x 4.7" (120mm) (W) x 4.7" (120mm) (H)



Electrical Performance

Main Beam Aperture		Color	Typical Power Consumption - Watts (VA) @ 6.6A					
Horiz(°)	Vert(°)		Per Beam Watts	Fixture*		Tx Primary**		Isolating Transformer
0 - 359	0 - 6	BLUE	0.75	4.71 (4.74)	0.993	12.87 (13.01)	0.991	
0 - 359	0 - 6	BLUE	0.75	4.67 (4.70)	0.993	13.76 (14.09)	0.977	25W
0 - 359	0 - 6	BLUE	0.75	4.64 (4.66)	0.994	16.23 (17.16)	0.948	45W

Fixture Operational Current Range: 2.7 to 6.7A RMS

Notes: Isolating transformer shall be suitably sized to accommodate specific secondary and other applicable losses.

* as measured at the input leads of the fixture.

** as measured across the primary winding of an appropriately sized isolation transformer with a total fixture and transformer secondary length not exceeding - 1.85m (72"). CCR shall be suitably sized for the indicated transformer VA for the relevant isolating transformer utilized.

*** main beam vertical requirements for FAA is 1° to 6° for IR852T

Environmental Conditions

▶ Ambient Temperature -55 °C to +55°C (-67 °F to +131°F)

▶ Ingress Protection > IP24

▶ Storage Temperature -55°C to +55°C (-67 °F to +131°F)

Photometry

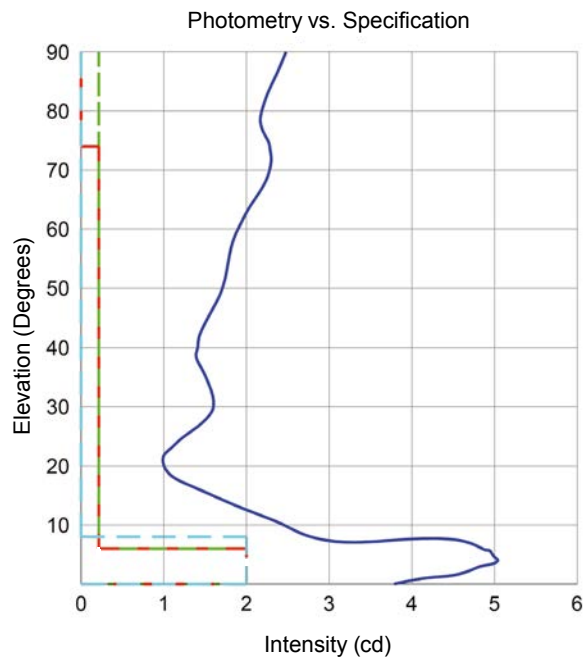
Specification

Taxiway & Apron Edge ICAO - 5.3.18.7/8 FAA L-861T

Color	Blue
Main rect. minimum intensity 0°-6°	2 cd
Second rect. minimum intensity 6°-90°	0.2 cd

Typical Measured Values

Color	Blue
Main rect. minimum intensity 0°-6°	3.0 cd
Main rect. minimum intensity 0°-8° (Stannag)	2.6 cd
Second rect. minimum intensity 6°-90°	1.0 cd



— IR861T(L) Performance @ 6.6A

Specification

- - ICAO Annex 14, EASA, CAP 168, FAA-46D
- - IEC61827
- - Stannag 3316