

Airport / Heliport Nylon Windsocks & Masts

Compliance and Applications

- ICAO DOC 9157
- ICAO ANNEX 14
- FAA AC 150/5345-45C
- FAA AC 150/5345-27D
- TP312 5TH ED

We have a complete line of windsock assemblies for aviation applications at airports and heliports. Windsocks and their support structures are made from high-grade materials and designed to provide reliable performance in even the most extreme environmental conditions. All equipment is designed to internationally recognized standards and thoroughly tested to ensure quality. Custom engineering and fabrication services are available. We also manufacture windsock assemblies for industrial applications.

Windsock Assembly

1. LED Obstruction Light (optional)

- Lamp: Single lamp LED (multiple source)
- Standard: ICAO, FAA (L-810) and Transport Canada
- Power Supply: 100-240 VAC or 12 VDC
- Wattage: 1.5W
- Color: Red

2. Fabric Windsock

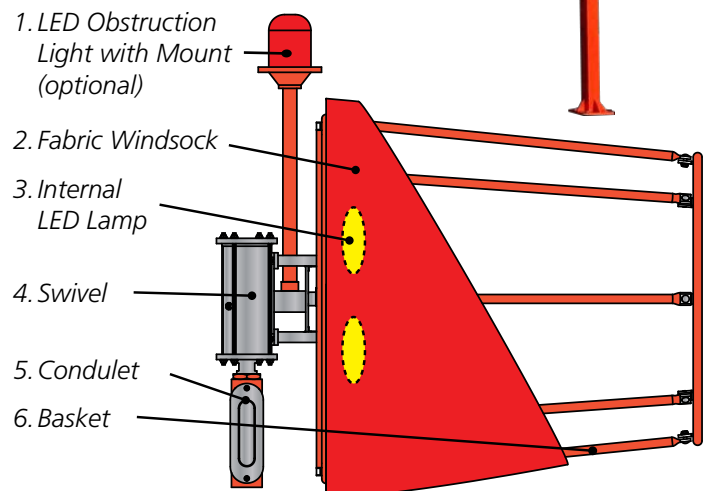
- Size: 0.9m x 3.6m, 0.6m x 2.4m, and 0.45m x 2.4m
- Color: Orange, red/white (5 bands)
- Material: Polyurethane coated nylon weighing 135g/m²
- Grommets: 1/2" brass, located at mouth for installation and underside for drainage
- Reinforcement: Double stitched; extra material on large diameter
- Fasteners: UV rated cable ties

3. Internal LED Lamp

- Qty: 2 for 100-240 VAC and 2.8-6.6 A; 1 for 12 VDC
- Total Wattage: 10W for 0.45m, 24W for 0.6m, 36W for 0.9m; 12 VDC uses 5W for 0.45m and 0.6m, 12W for 0.9m

4. Swivel

- Designs: Unlit, internally lit, and externally lit
- Material: Aluminum alloy parts, stainless steel hardware
- Rotation: 2 fully enclosed stainless steel bearings
- IP Code: IP65 rated
- Circuit: 6-circuit slipring, internal lamp and obstruction light independently wired, pre-wired
- Mount: 1-1/2" NPT male



5. Condulet

- Material: Aluminum alloy parts, stainless steel hardware
- Wiring: Strain relief pre-installed
- Mount: 1-1/2" NPT female top, 2" NPT female bottom

6. Basket

- Size: 0.45m, 0.6m, and 0.9m diameter
- Material: Aluminum alloy parts, stainless steel hardware
- Color: Powder coated orange
- Shipping: Collapsible for low-cost shipping and easy assembly

7. Electrical (not shown)

- Power Supply: 100-240 VAC, 2.8-6.6 A, 12 VDC (Solar)
- Standard: CSA certification, upon request for 100-240 VAC
- Safety: External manual disconnect switch
- Junction Box: Weatherproof PVC (100-240 VAC), vented aluminum (2.8-6.6 A and 12 VDC), all pre-wired
- Wiring: 6m SJ00W cable, pre-wired

+1.800.806.3548 US & Canada
+1.916.394.2800 Worldwide
+1.916.394.2809 Fax

www.flightlight.com
sales@flightlight.com

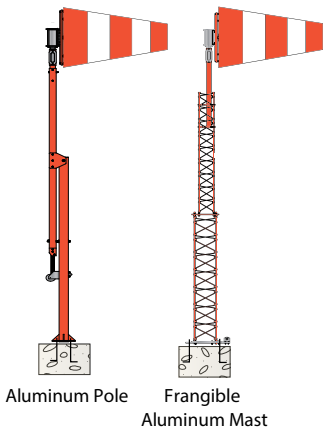
Flight Light Inc., 2708 47th Ave.
Sacramento, CA, 95822, USA

Windsock Assembly Ordering Information

POWER SUPPLY	DIAMETER (m)	WINDSOCK ASSEMBLY			STANDARD			FABRIC PART NO		OBSTRUCTION LIGHT ¹		PHOTOCELL	CSA CERT.
		PART NO	WATTS	LAMPS	ICAO	FAA	TC	ORANGE	RED/WHITE	PART NO	WATTS	PART NO	PART NO
UNLIT	0.45	WSCK-18UN	-	-	-	Size 1, Style II	Size 2	FABR-1808-ORNG	FABR-1808-RDWH	-	-	-	-
	0.60	WSCK-24UN	-	-	Heliport	-	Heliport	-	FABR-2408-RDWH	-	-	-	-
	0.90	WSCK-36UN	-	-	Airport	Size 2, Style II	Size 1	FABR-3612-ORNG	FABR-3612-RDWH	-	-	-	-
100-240 VAC	0.45	WSCK-18VL	10	2	-	Size 1, Style I-B	Size 2	FABR-1808-ORNG	FABR-1808-RDWH	SOL2-A	1.5	PHTO-CELL-012D	CERT-CSA
	0.60	WSCK-24VL	24	2	Heliport	-	Heliport	-	FABR-2408-RDWH	SOL2-A	1.5	PHTO-CELL-012D	CERT-CSA
	0.90	WSCK-36VL	36	2	Airport	Size 2, Style I-B	Size 1	FABR-3612-ORNG	FABR-3612-RDWH	SOL2-A	1.5	PHTO-CELL-012D	CERT-CSA
2.8-6.6 A	0.45	WSCK-18CL	10	2	-	Size 1, Style I-B	Size 2	FABR-1808-ORNG	FABR-1808-RDWH	SOL2-C	1.5	-	-
	0.60	WSCK-24CL	24	2	Heliport	-	Heliport	-	FABR-2408-RDWH	SOL2-C	1.5	-	-
	0.90	WSCK-36CL	36	2	Airport	Size 2, Style I-B	Size 1	FABR-3612-ORNG	FABR-3612-RDWH	SOL2-C	1.5	-	-
12 VDC	0.45	WSCK-18SL	5	1	-	Size 1, Style I-B	Size 2	FABR-1808-ORNG	FABR-1808-RDWH	SOL2-D	1.5	PHTO-CELL-012D	-
	0.60	WSCK-24SL	5	1	Heliport	-	Heliport	-	FABR-2408-RDWH	SOL2-D	1.5	PHTO-CELL-012D	-
	0.90	WSCK-36SL	12	1	Airport	Size 2, Style I-B	Size 1	FABR-3612-ORNG	FABR-3612-RDWH	SOL2-D	1.5	PHTO-CELL-012D	-

¹ Obstruction Light is only required by FAA standards. This standard requires that the Obstruction Light is powered by a different supply than the Windsock Assembly so that if the Windsock has its power supply interrupted, the Obstruction Light remains on. Consequently, all Obstruction Lights are designed for a 100-240 VAC power supply input regardless of how the Windsock Assembly is

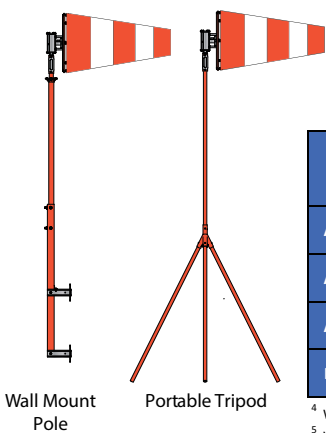
Pole / Mast Assembly Specifications



DESIGN	AL POLE		AL FRANGIBLE MAST	
	HEIGHT	2.25m	4.50m	2.25m
SERVICEABILITY				
FIXED BASE	-	-	✓	✓
TILT BASE	✓	✓	✓	✓
CENTER HINGE	-	✓	-	✓
WALL MOUNT	✓	✓	-	-
PORTABLE TRIPOD	✓	✓	-	-
STANDARDS				
ICAO / FAA / TC FRANGIBILITY ²	-	-	✓	✓
FAA STANDARD	L-806	L-807	L-806	L-807
WIND LOADING (km/h)³				
MAX WIND SPEED, no ice	274	249	196	176
MAX WIND SPEED, 12.5mm radial ice	260	234	174	148
MAX WIND SPEED, 25mm radial ice	248	220	157	128

² Confirmed by 3rd party impact testing.

³ Loading assumes a 0.9m Diameter Lit Windsock Assembly is installed. Loading for AL Pole Wall Mount and Portable Tripod differs. Please consult Flight Light for Wall Mount and Portable Tripod specifications.



Pole / Mast Assembly Ordering Information

DESIGN	HEIGHT	SERVICING			OPTIONS			
		FIXED BASE	TILT BASE	CENTER HINGE	WINCH ⁴	FUSE BOLTS	TILT STAND ⁵	ORANGE/WHITE POWDER COATING ⁶
AL POLE	2.25m	-	225W-APTB	-	-	FB34	TILT-STND-AS03	PCOW-225W-AP
	4.50m	-	450W-APTB	450W-APCH	RMW4	FB34	TILT-STND-AS03	PCOW-450W-AP
AL POLE - WALL MOUNT	2.25m	-	225W-APWM	-	-	-	TILT-STND-AS03	PCOW-225W-AP
	4.50m	-	450W-APWM	-	RMW6	-	TILT-STND-AS03	PCOW-450W-AP
AL POLE - PORTABLE TRIPOD	2.25m	225W-APPT	-	-	-	-	-	PCOW-225W-AP
	4.50m	450W-APPT	-	-	-	-	-	PCOW-450W-AP
FRANGIBLE AL MAST	2.25m	225W-FAFB	225W-FATB	-	-	-	TILT-STND-AS01	PCOW-225W-FA
	4.50m	450W-FAFB	450W-FATB	450W-FACH	RMW2	-	TILT-STND-AS01	PCOW-450W-FA

⁴ Winches are required for 450W-APCH and 450W-FACH, optional for 450W-APWM. All Winches are removable so only one is required per site although one per pole/mast may be desired.

⁵ When poles/masts are lowered for servicing either by Tilt Base or Center Hinge, an optional Tilt Stand can be purchased to provide support while maintenance is performed.

⁶ All poles/masts are powder coated Orange as a standard. Orange/White banding is available but may carry additional costs and lengthen lead times.

Spare Parts

PART	PART NO	DESCRIPTION	NOTES
SWIVELS	WSCK-SWVL-0004	Windsock Swivel - Unlit	1-1/2" NPT Mount (Male), lamps not included
	WSCK-SWVL-0005	Windsock Swivel - Lit	1-1/2" NPT Mount (Male), lamps not included
LAMPS	LAMP-05SD	5W Lamp - Voltage Driven Systems	100-240 VAC and 12 VDC Systems
	LAMP-05SC	5W Lamp - Current Driven Systems	2.8-6.6 A Systems
	LAMP-12SD	12W Lamp - Voltage Driven Systems	100-240 VAC and 12 VDC Systems
	LAMP-12SC	12W Lamp - Current Driven Systems	2.8-6.6 A Systems
	LAMP-18SD	18W Lamp - Voltage Driven Systems	100-240 VAC and 12 VDC Systems
	LAMP-18SC	18W Lamp - Current Driven Systems	2.8-6.6 A Systems
	OBLT-LED1-0002	3.5W Obstruction Light Lamp	SOL2 Replacement
BASKETS	INTW-LAMP-LED2	30W Lamp - Current Driven Systems (old design)	Pre-2018 Design
	BSKT-1836-1200	0.45m Diameter w/ Spacers	Powder Coated Orange
	BSKT-2436-1200	0.60m Diameter w/ Spacers	Powder Coated Orange
FABRIC	BSKT-3636-0400	0.90m Diameter w/ Spacers	Powder Coated Orange
	FABR-1808-ORNG	0.45m Dia. x 2.40m Length, Orange	UV Rated Cable Ties included
	FABR-1808-RDWH	0.45m Dia. x 2.40m Length, Red/White	UV Rated Cable Ties included
	FABR-2408-RDWH	0.60m Dia. x 2.40m Length, Red/White	UV Rated Cable Ties included
	FABR-3612-ORNG	0.90m Dia. x 3.60m Length, Orange	UV Rated Cable Ties included
ELECTRICAL	FABR-3612-RDWH	0.90m Dia. x 3.60m Length, Red/White	UV Rated Cable Ties included
	CAST-TYPC-2015	2" Condulet w/ Gasket Cover, Orange	1-1/2" NPT Female Top, 2" NPT Female Bottom
	DRVR-LED1-0001	100-240 VAC LED Driver	For 100-240 VAC Systems
	VLPS	100-240 VAC Junction Box, pre-wired	6m SJOOW Cable included
	CLPS	2.8-6.6 A Junction Box, pre-wired	6m SJOOW Cable included
SLPS	12 VDC Junction Box, pre-wired	6m SJOOW Cable included	

Solar Power Kits

We offer a Solar Engine Power Supply (SEPS) to go with our 12 VDC Windsock Assembly. The SEPS comes in two sizes - 80W and 160W - which is rated for 10+ days of autonomy in most locations. Although standardized, customers should always confirm installation location with Flight Light to ensure the SEPS is properly rated.

Specifications

- Battery: -40°C to +50°C, deep cycle, exterior grade, non-spillable, international freight friendly (A67)
- Solar Panel: Available in 80W or 160W, fully adjustable between 0° and 90°
- Mount: Two frangible AL pipes on AL flange bases, separately mounted from pole / mast
- Control: Fully potted 10A charge control w/ dusk to dawn lighting control
- Autonomy: 10+ days at 25°C
- Cabinet: Powder coated orange, aluminum, vented



PART NO	PANEL SIZE	LATITUDE ⁷	LOAD	BATTERY	AUTONOMY
SEPS-0080-1101	80W	30°S to 30°N	6W	1	10+ Days
			13W	2	10+ Days
		>30°	6W	1	10+ Days
SEPS-0160-2202	80W (x2)	>30°	13W	2	10+ Days

⁷ Latitude specified is typical. System performance is dependent on photovoltaic (PV) potential and will vary based on site specific conditions. Always confirm design with an engineer.