

# Explosion Proof Medium Intensity Obstruction Light 2,000 cd

## Certificates



## Applications

The Q-Explosion Proof Medium Intensity Obstruction Light 2,000 cd is an ICAO, FAA, and CAP437 compliant red obstruction light designed for hazardous areas.

## Technical Specifications

- Application: Obstruction lighting
- Hazardous Area: Zone 1 and 2
- Classification: Class 1 and 2
- Light Source: LED
- Light Color: Red, 630 nm
- Light Intensity: 2,000 cd
- In Compliance With: CAP437 medium intensity, ICAO Annex 14 vol. II Type B/C, FAA L-864
- Vertical Beam Profile: as per ICAO/FAA/CAP437
- Color Chromaticity: as per ICAO/FAA/CAP437, 630 nm
- Enclosure: Aluminum, borosilicate glass
- Mounting: Rigid, 4x M8
- Input Voltage: 1) 100-240 Vac 50-60 Hz  
2) 24 Vdc
- External Earthing: up to 4mm<sup>2</sup>
- Ambient Temperature: -22°F to +122°F (-30°C to +50°C)
- Cable Side Entries: 1 x M25x1.5
- Cable Glands Included: 1 x M25x1.5
- Cable Size: 9-17mm
- Consumption: 9 Watt - 20FPM  
12 Watt - 40FPM  
15 Watt - 60FPM  
54 Watt - Steady Burning
- Life Expectancy: 100,000+ hours
- IP Index: IP 66
- Weight: 13.7 lb. (6.20 kg)
- Dimensions: 8.5" x 8.5" x 8.7" (215x215x220mm) (LxWxH)
- Packaging Dimension: 15.75" x 15.75" x 31.5" (400x400x800mm) (LxWxH)

## Certification

- Hazardous Area Atex: Zone 1 and 2  
Ex eb mb op is IIC T6 Gb  
Ex op is tb IIIC T80° Db IP66
- Hazardous Area IECEX: IECEX Class 1 and 2  
Ex eb mb op is IIC T6 Gb  
Ex op is tb IIIC T80° Db IP66



## Ordering Codes

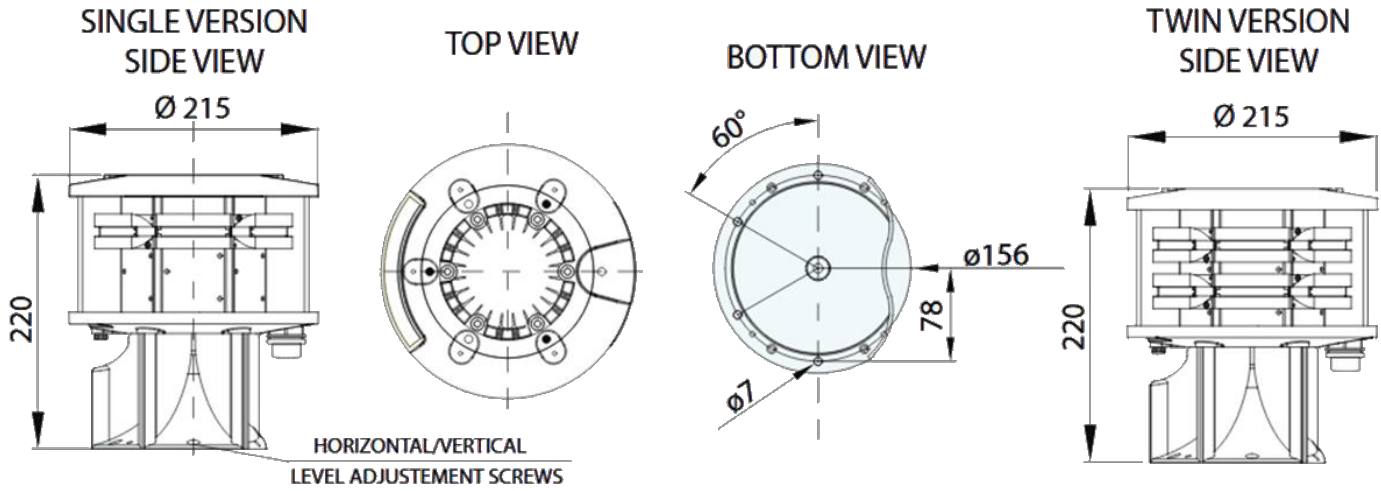
Part Number	Input Power
Q84RI01: Q-Explosion Proof Medium Intensity Obstruction Light 2,000 cd	11: 100-240 VAC 12: 24 VDC

+1.800.806.3548 USA  
+1.916.394.2800 Worldwide  
+1.916.394.2809 Fax

[www.flightlight.com](http://www.flightlight.com)  
[sales@flightlight.com](mailto:sales@flightlight.com)

Flight Light Inc., 2708 47th Ave.  
Sacramento, CA, 95822, USA

Dimensions



Photometrics

