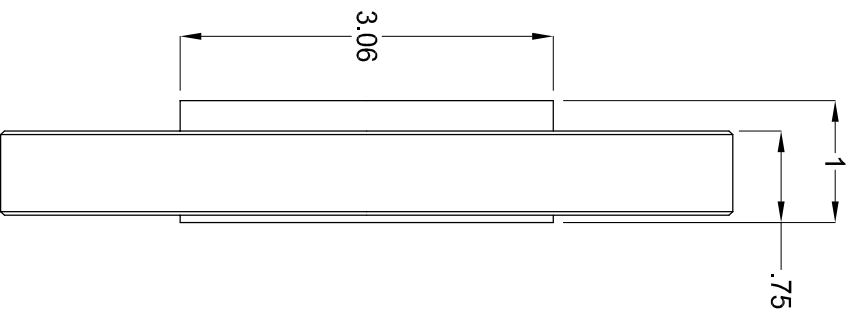
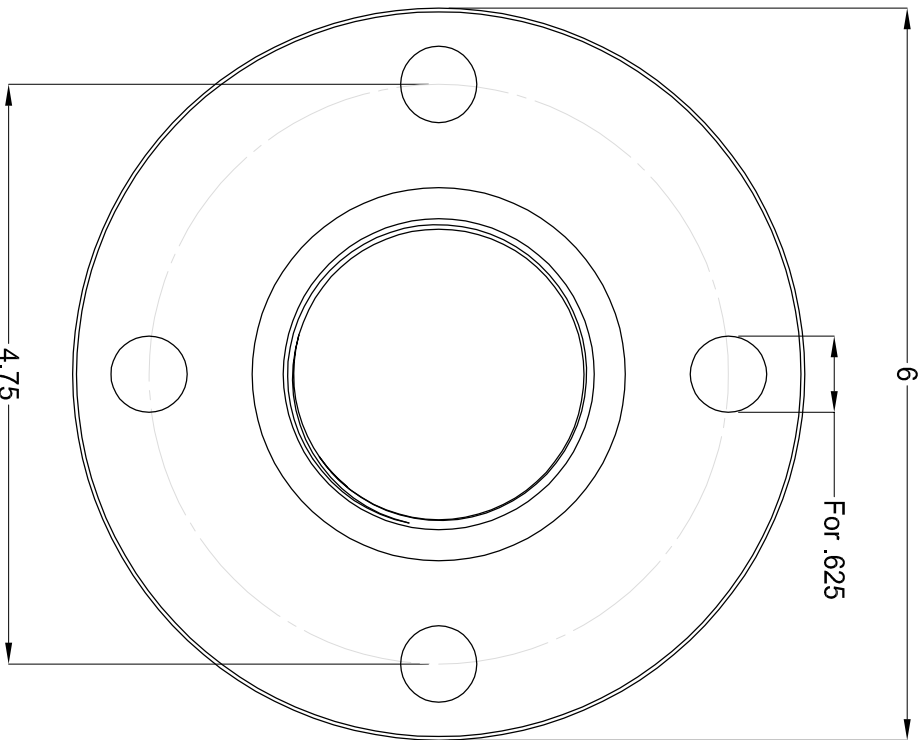
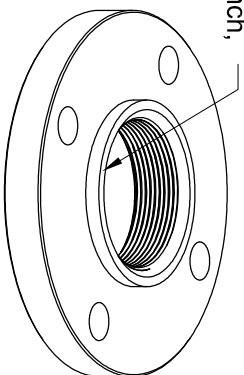


REVISIONS		DESCRIPTION	DATE	APPROVED
ZONE	REV			
N/A	0	Original Release	11/14/11	N/A

2 NPT Pipe Size, 1 1/2 Threads Per Inch,  
0.76" Thread Engagement



FILE NAME:		1067_0002_R0	
NAME:		Floor Flange, 2" NPT, 6" OD	
SIZE	FSCM NO.	PART NO.	REV
A		WCH-1067-0002	0
SCALE	DATE	SHEET	OF
N/A	11/14/2011	1	1