

ZA280C | L-852C

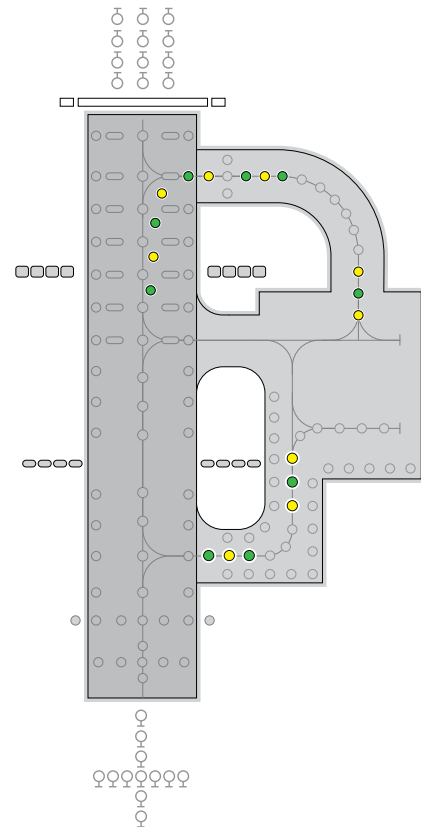
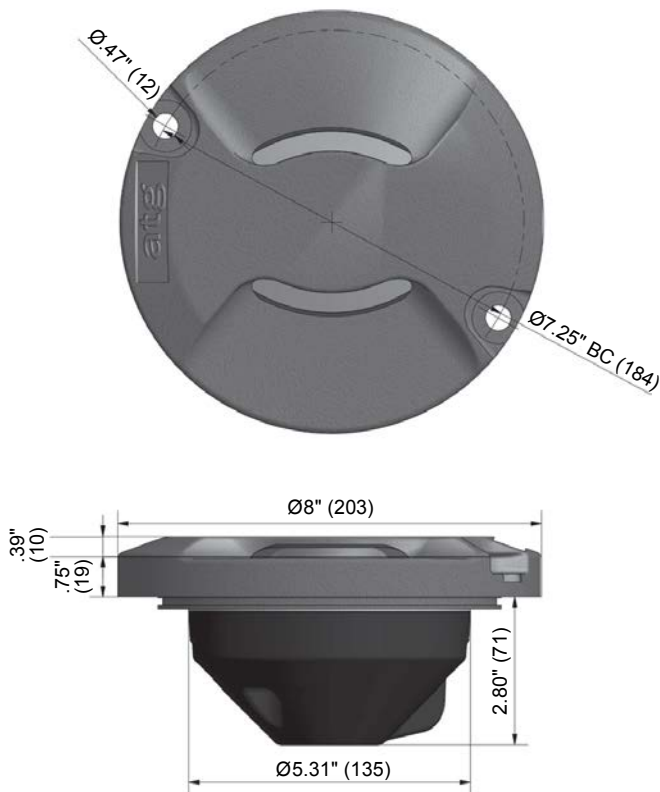
8" Taxiway Centerline, Straight Sections (Narrow), High Intensity Lighting Solutions

Compliance and Applications

- FAA Certified: L-852C (AC 150/5345-46)
- ICAO Annex 14, Vol 1
- IEC 61827
- EASA
- Stanag 3316 (NATO)

The ZA280C is a high intensity, inset taxiway centerline (narrow straight sections) fixture with a narrow beam, suitable for CAT III all weather operation airfield ground lighting (agl) systems.

The fixture may be used in 6.6A airfield lighting circuits normally supplied from 1 x 45W, 1 x 65W or 100W isolating transformer. Power consumption is normally 48W.





Ordering Codes

80-ZA280 C

Application
L-852C Taxiway Centerline
Straight (Narrow)

Color
A Side
G = Green
Y = Yellow
X = Blank
B Side
G = Green
Y = Yellow
X = Blank

Specification
1 = FAA
2 = ICAO

Connections
1 = 1 Bi Pin Plug
2 = 2 Bi Pin Plug

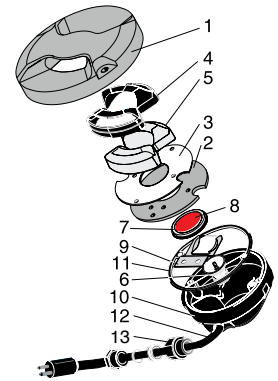
Additional optional features are available upon request.

Packaging

- Net weight: 6.6 lb. (3Kg)
- Gross weight: 7.7 lb. (3.5Kg)
- Box: 9.1" (230mm) (w) x 9.1" (230mm) (d) x 5.7" (146mm) (h)

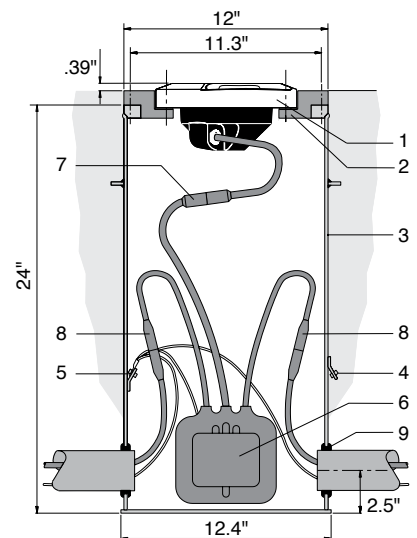
Common Replacement Parts

1. Body casting
2. Prism clamp 80-021268
3. Prism clamp gasket 80-033072
4. Prism gasket (2) 80-033071
5. Glass prisms (1 or 2)
white (clear) 80-016072
blank 80-040102
6. 48w 6.6a MR16 lamp LA-008065
7. Lamp gasket 80-033064
8. Filter
red 80-019155
green 80-019156
yellow 80-019157
blue 80-019201
9. Lamp retaining spring 80-032039
10. Bottom cover
11. Bottom cover gasket 80-033080
12. 'B' type plug lead 80-013001
13. Cable gland assembly 80-021114/5/6

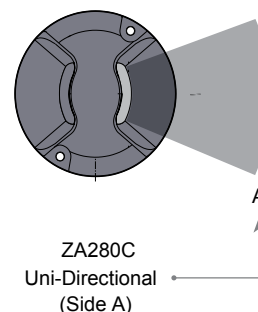
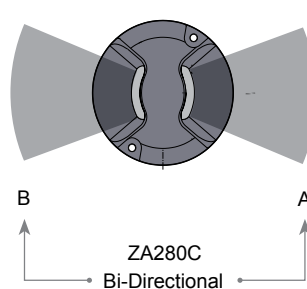
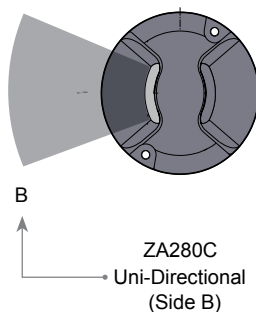


ZA280 Installed on FAA L-868 Base

1. ZA280 fixture
2. Adapter ring (30-AA122820)
3. FAA L-868 base (one piece)
4. Outer earth terminal (optional)
5. Inner earth terminal (optional)
6. Isolating transformer
7. Secondary connection
8. Primary connection
9. Grommet



Beam Options



+1.800.806.3548 US & Canada
+1.916.394.2800 Worldwide
+1.916.394.2809 Fax

www.flightlight.com
sales@flightlight.com

Flight Light Inc., 2708 47th Ave.
Sacramento, CA, 95822, USA

Electrical Performance

Main Beam Aperture		Color	Power Consumption Watts (VA) @ 6.6A
Horiz(°)	Vert(°)		
-3.5 to +3.5	1 to 8	GRN/GRN	48W
-3.5 to +3.5	1 to 8	YEL/YEL	48W
-3.5 to +3.5	1 to 8	GRN/YEL	48W
-3.5 to +3.5	1 to 8	GRN/BLK	48W
-3.5 to +3.5	1 to 8	YEL/BLK	48W

Fixture Operational Current Range: 2.7 to 6.7A RMS

* as measured at the input leads of the fixture.

** as measured across the primary winding of an appropriately sized isolation transformer with a total fixture and transformer secondary length not exceeding ~72" (1.85m).

Note: Isolating transformer shall be suitably sized to accommodate specific secondary and other applicable losses.

For bi-directional twin lead option use unidirectional electrical performance for each direction.

Environmental Conditions

- Ambient Temperature -67 °F to +131°F (-55 °C to +55°C)
- Storage Temperature -67 °F to +131°F (-55 °C to +55°C)
- Ingress Protection IP67

Photometry

Specification

Taxiway Centerline - Straight Narrow ICAO Fig A2-13 FAA L-852C

Color	Green
Max/Min Intensity Ratio	<3.0
Main rect. average intensity	200 cds
Main rect. minimum intensity	100 cds
Second rect. minimum intensity	20 cds

Typical Measured Values

Taxiway Centerline - Straight (Narrow) Green

Color	Green
Max/Min Intensity Ratio	2.59
Main rect. average intensity	400 cds
Main rect. maximum intensity (A)	512 cds
Main rect. minimum intensity (B)	197 cds
Second rect. minimum intensity	120 cds

Specification

Taxiway Centerline - Straight (Narrow) Yellow

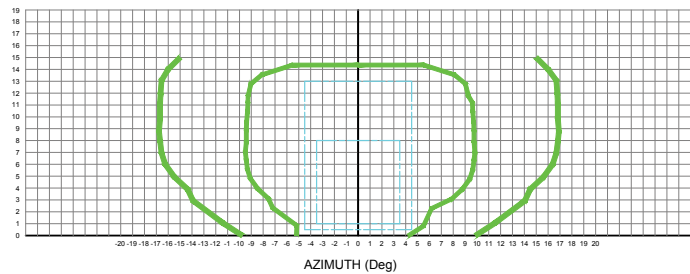
Color	Yellow
Max/Min Intensity Ratio	<3.0
Main rect. average intensity	200 cds
Main rect. minimum intensity	100 cds
Second rect. minimum intensity	20 cds

Typical Measured Values

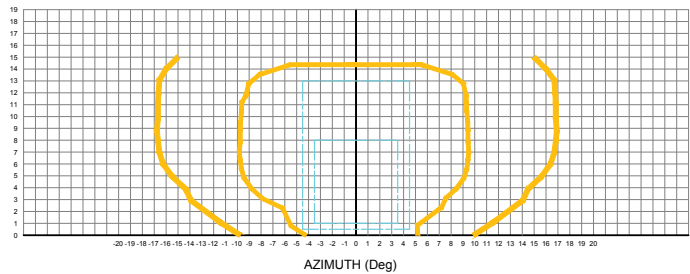
Taxiway Centerline - Straight (Narrow) Yellow

Color	Yellow
Max/Min Intensity Ratio	1.96
Main rect. average intensity	462 cds
Main rect. maximum intensity (A)	584 cds
Main rect. minimum intensity (B)	299 cds
Second rect. minimum intensity	228 cds

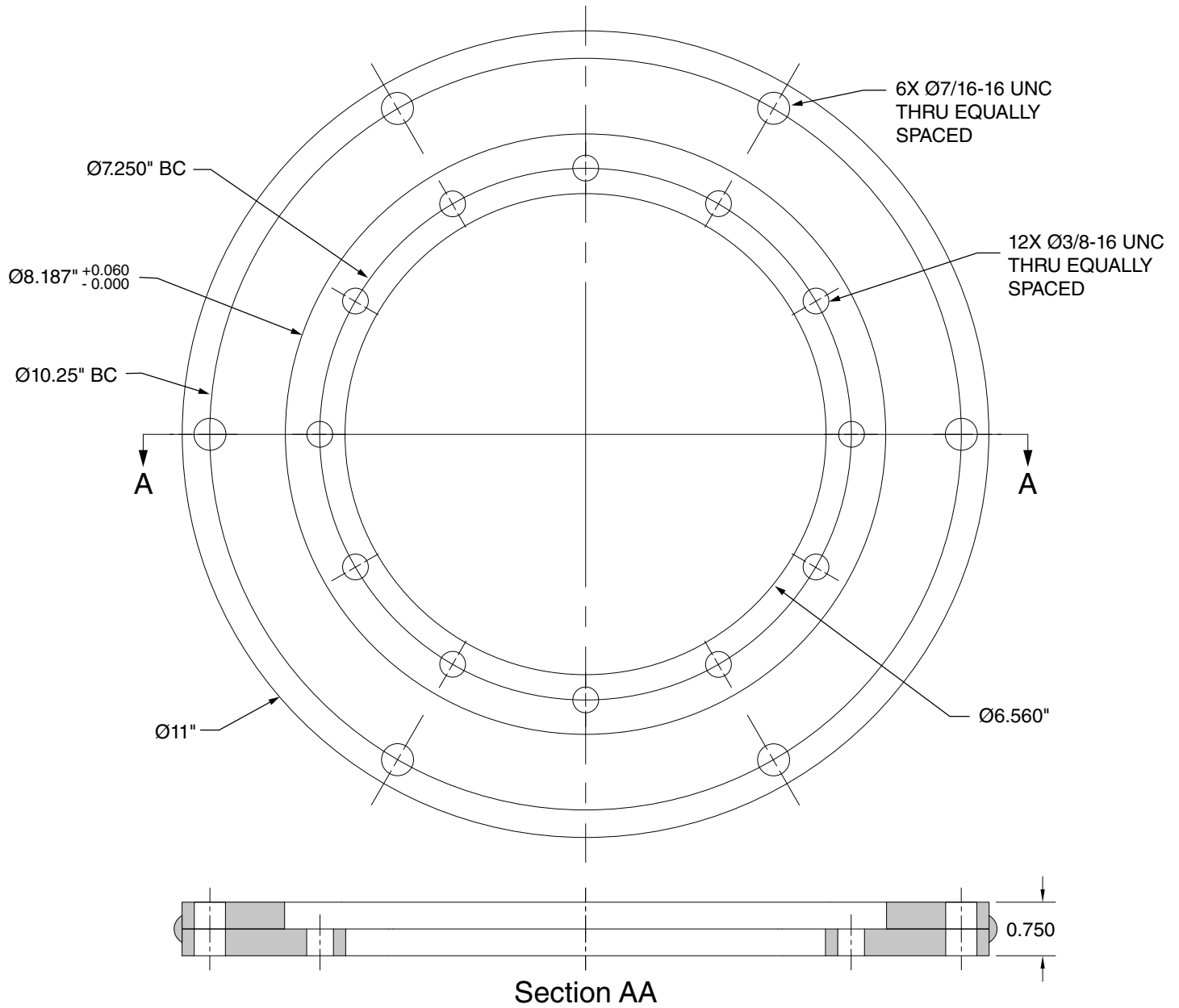
Intensity Chart - Taxiway Centerline Luminaire (straight narrow) Green

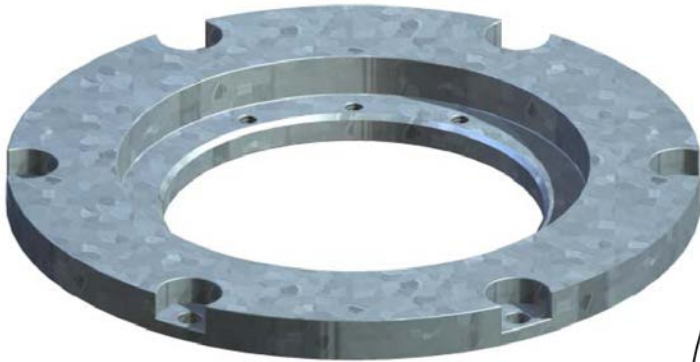


Intensity Chart - Taxiway Centerline Luminaire (straight narrow) Yellow



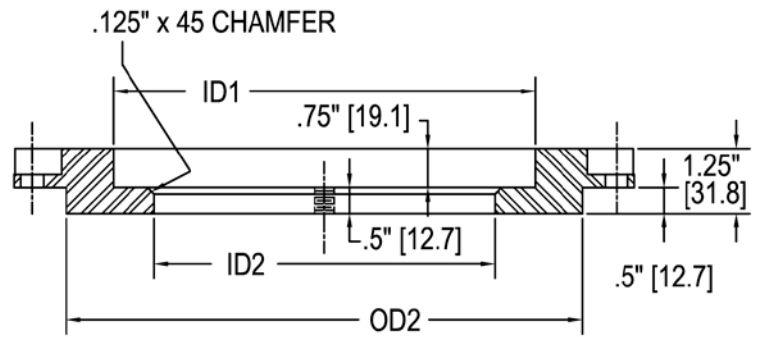
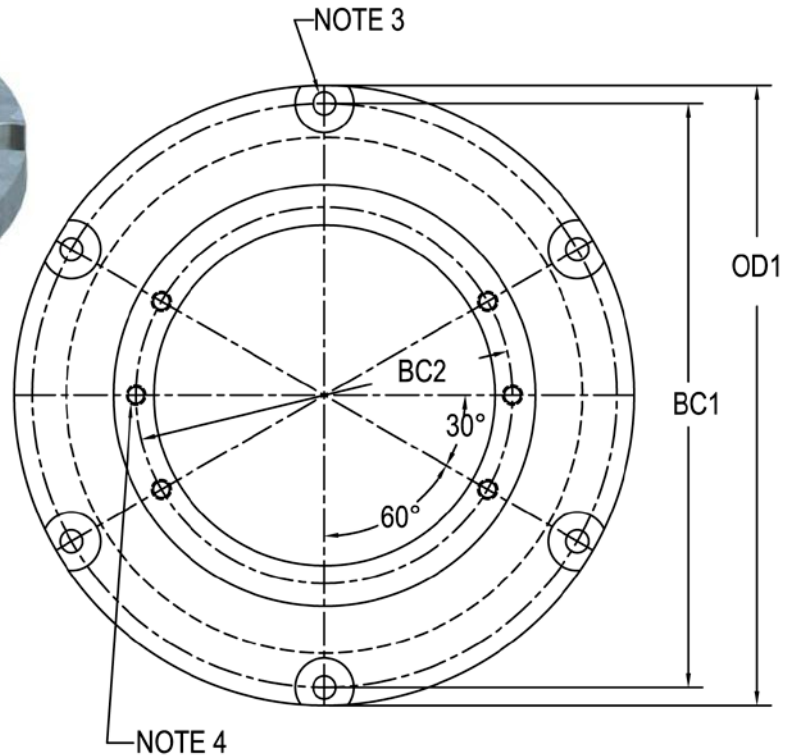
L-867 to 8" One Piece Adapter Ring (30-86712-25)





**L-868B 8" -12" Adapter/Flange Ring
(30-AA122820)**

1. Approved and Certified to FAA Advisory Circular AC150/5345-42F. Size: B=12"
 2. Adapter Plates are galvanized to ASTM-A123/A123M-02.
 3. (6) 7/16" Ø equally spaced, thru holes with 1-1/8" Ø x 1/2" deep counter bore.
 4. Standard Plate: (6) 3/8"-16 tapped holes.
Metric Plate: (6) M10-1.5 tapped holes.
 5. Standard Adapter Plates are shipped with:
 - (2) 3/8"-16 x 1-1/4" SS hex head bolts (10650202)
 - (2) 3/8", 2 piece locking washers (10680607)
 - (1) Bolt Set (6100) containing:
 - (6) 3/8"-16 x 1" SS hex head bolts (10650198)
 - (6) 3/8", 2 piece locking washers (10680607)
- Metric Adapter Plates are shipped with:
- (2) M10x1.5x30mm SS hex head bolts (10652820)
 - (2) 3/8", 2 piece locking washers (10680607)
 - (1) Bolt Set (6100M) containing:
 - (6) M10x1.5x30mm SS hex head bolts (10652820)
 - (6) 3/8", 2 piece locking washers (10680607)



TYPE	OD1	BC1	OD2	ID1	BC2	ID2
30-AA122820	11.938" [303.2]	11.25" [285.8]	9.938" [252.4]	8.125" [206.4]	7.25" [184.2]	6.563" [166.7]

Add "M" to the end of the part number to note Metric Adapter Plate

[] = metric dimensions in mm