

# PALT Portable Airfield Lighting Trailer

## Applications

- Military, police, airport operators.
- Night vision goggle (NVG) and covert operations.
- Humanitarian, disaster, and medevac situations.

Install airfield lighting in minutes with the PALT Portable Airfield Lighting Trailer system. The PALT combines our rugged cable and transportation trailer product line with our trusted A704, A650, and PAPI solar airfield lights.



## Trailer Features

- Stores and charges 112 lights for a complete 10,000 ft (3000 m) runway.
- Configurable from 1,500 to 10,000 ft (500 to 3,000 m) runway.
- Air transportable and towable to expedite airfield light installation.
- Integrated AC and solar charging system ensures airfield lights are always ready.

## Airfield Light Features

- ICAO and FAA compliant.
- Solar-powered = no cabling or civil works required.
- High efficiency, LED optics.
- Self-contained, integrated, and sealed against water and dust to greater than IP68.
- Lightweight, compact, and designed for portability with integrated handles, aviation yellow or olive drab chassis, and military charge ports.
- Wirelessly controlled over 2.5 mi (4 km) with military-grade encryption.
- Third-party tested for performance.
- Used worldwide in military environments for over 15 years.

The system is easily configured to transport, charge, and control these products:



Runway Edge Lights



Apron and Taxiway Edge Lights



Wireless Control



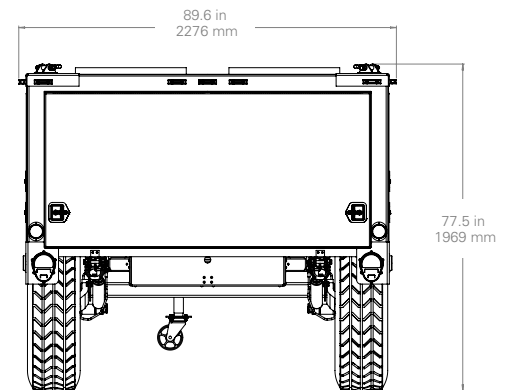
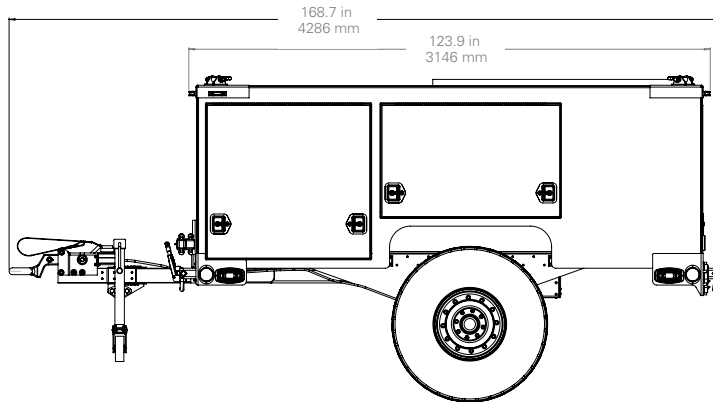
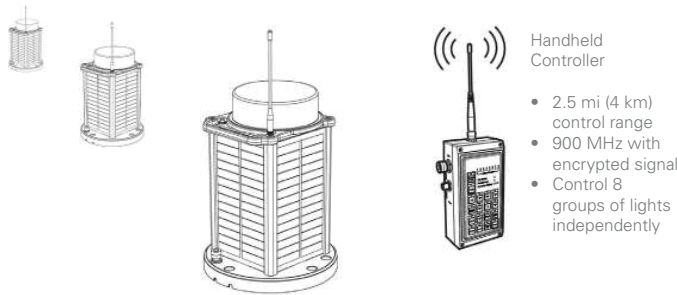
Runway Threshold Lights



PAPI



ARCAL



**TRAILER SPECIFICATIONS**

The PALT utilizes a recognized platform with these key features:

Features	Light Tactical Trailer (LTT) chassis matches the performance of US military HMMWV and NATO requirements
	Air transportable with lifting points
	Fits in standard cargo container
	Front and rear stabilization bars easily deploy during use
	Changeable tongue for ball-mount, pintle hook, or lunette ring towing
	Hydraulic brakes, operating and blackout lights
	Rugged off-road suspension, wheels, and run-flat tires
Dimensions	Chromoly steel and aircraft aluminum chassis
	169 in (4286 mm) total length, 90 in (2276 mm) width, 78 in (1969 mm) height, 72.5 in (1840 mm) track width
	4200 lb (1905 kg) max. weight
	16 in (410 mm) min. ground clearance



Simply open the easy-access doors, disconnect charge port, remove A704 solar airfield light, and place on the ground to assemble your airfield.

To this versatile platform, we add a comprehensive Go Power! industrial-grade solar charging system. Recharge via the sun or any AC outlet with:

Solar System	Large 4x AGM battery bank to recharge the airfield lights' batteries during storage
	320 W solar panel array recharges the battery bank when no AC power is available
	75A battery charger recharges the battery bank quickly when connected to AC power
Electrical	Integrated user readout including battery status, voltage, LVD
	NEMA electrical box with circuit breakers for easy maintenance



**AIRFIELD LIGHTING SPECIFICATIONS**

Features	FAA and ICAO compliant lighting
	A704 white and white/yellow runway edge lights (quantity depends on runway length) + 12x A704 red/green threshold lights + optional A704-VL blue taxiway lights
	Visible and NVG-compatible infrared (IR) output
	Wireless control from up to 2.5 miles (4 km) away
	-40 to 80 °C (-40 to 176 °F) max. operating temperature

**CONFIGURATION**

MODEL	RUNWAY LENGTH ▼	CHASSIS ▼	OPTIONS ▼
PALT	1500 FT 3000 FT 6500 FT 10000 FT OTHERS AVAILABLE	DESERT TAN OLIVE DRAB AVIATION YELLOW WHITE OTHERS AVAILABLE	PERMANENT LIGHTING MOUNTS TAXIWAY LIGHTS PAPI SYSTEMS PILOT-ACTIVATED ARCAL