

A704 Medium Intensity Runway Light

Meets traditional airfield requirements in an easy-to-install, low maintenance package.

- ICAO and FAA compliant
- Third party certified
- Long-lasting batteries
- Available in three battery sizes

Applications

- Medium-intensity runway edge & threshold (MIRL)
- Simple approach lighting
- NVG operations
- Emergency or temporary lighting

Advanced Design

- Improved optical efficiency with latest LEDs
- High-efficiency monocrystalline solar panels
- Reduced standby power consumption
- Multiple battery sizes for best value-for-performance

Easy Installation

Limited crew, no trenching, no airfield interruptions. Just place the A704 and it emits light dusk-to-dawn while maintaining its battery. Optional wireless control provides on-demand operation from up to 4 km (2.5 m) away.

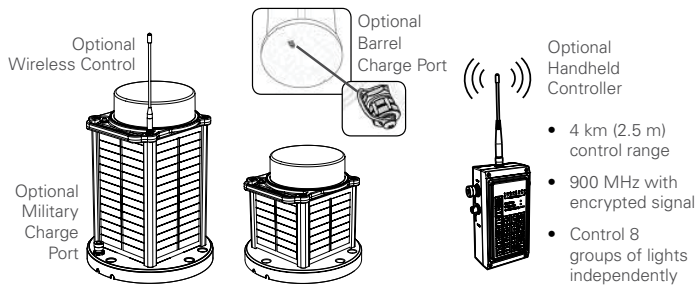
Low Maintenance

The A704 integrates solar panels, battery, electronics, and LED light source into a compact, stand-alone unit requiring minimal maintenance for 7 years.

Reliable

The Energy Management System (EMS) monitors all operations to provide consistent output in the harshest environments. Testing to ICAO, FAA and MIL specifications ensures high performance for many years.



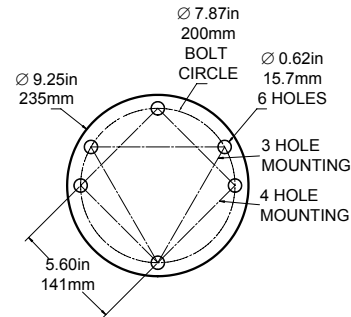
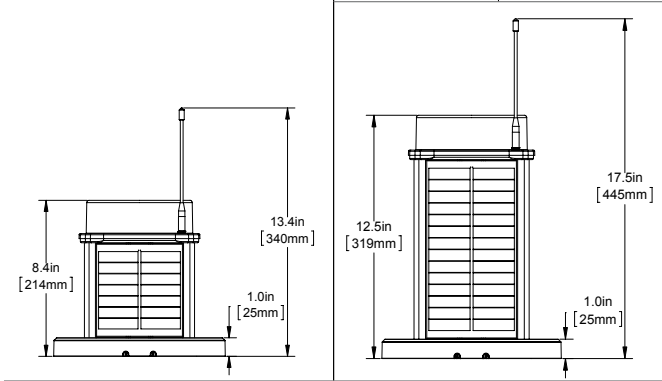


SPECIFICATIONS

Optical	High-power LEDs meet IES LM-80 lumen maintenance, ensuring consistent photometrics for life of product
	ICAO, SAE25050 (FAA), and FAA EB 67 compliant chromaticity
	NVG-compatible infrared (IR) LEDs
Energy Collection	Steady-on and flash
	High-efficiency cells with blocking diodes
	Maximum power point tracking with temperature compensation (MPPTC) for optimal energy collection in all solar conditions
Energy Storage	Pure-lead VRLA AGM battery with manufacturer operating range -65 to 80 °C (-85 to 176 °F)
	On-board battery status
	Designed for 5+ year battery life; Replaceable and recyclable
Energy Management System (EMS)	Optional port for battery charging and cabled operation
	Intelligent, microprocessor EMS
	On-board diagnostics and datalogger
Automatic Light Control (ALC)	Push button interface for local control
	Autonomous (dusk to dawn), Temporary, and Emergency Modes
	ALC adjusts output intensity in response to unusually low amounts of sunlight to ensure continued operation
Construction	Premium, UV-resistant polycarbonate lens
	Powder coated aluminum and polycarbonate chassis with integrated handle
	Waterproof, vented battery compartment
Temperature	-30 to 50 °C (-22 to 122 °F) Optimal
	-40 to 80 °C (-40 to 176 °F) Maximum
Wind & Ice Loading	644 kph (400 mph) wind; 0.03 psi (22 kg/m ²) ice
Shock & Vibration	MIL-STD-202G and MIL-STD-810G
Ingress	EN 60529 IP 67 immersion
	MIL-STD-202G immersion & damp heat cycling
	MIL-STD-810G rain & salt fog
Compliance	ICAO MIRL (Annex 14, Vol. 1, 5.3.9.9)
	FAA L-861 MIRL (AC 150/5345-46, EB67)
	FAA L-861E & L-861SE MIRL (AC 150/5345-46, EB67)
	FAA L-860 LIRL (AC 150/5345-46, EB67)
	FAA L-863 Portable (AC 150/5345-50)

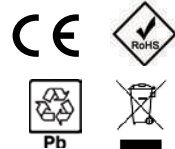
WEIGHTS AND DIMENSIONS

COMPACT		STANDARD	
Weight	4.9 kg (11 lb)	Weight	6.7 kg (15 lb)
Battery (60X)	4.2V, 15 Ahr	Battery (96E)	4.2V, 24 Ahr
LARGE			
Weight		Weight	10.5 kg (23 lb)
Battery (200BC)		Battery (200BC)	4.2V, 50 Ahr



CONFIGURATION

MODEL	COLOR ▼	BATTERY SIZE ▼	CONTROL ▼	CHARGE PORT ▼
A704	WHITE / IR (WW) WHITE / YELLOW / IR (WY) RED / GREEN / IR (RG) GREEN / IR (GG) YELLOW / IR (YY) RED / IR (RR)	COMPACT STANDARD LARGE	NON-WIRELESS (NA) WIRELESS (RF)	NONE (NA) CHARGE PORT (CP) MILITARY CHARGE PORT (MP)



Example: A704-WWW-Compact-RF-NA

Specifications subject to local environmental conditions.
Specifications may be subject to change.

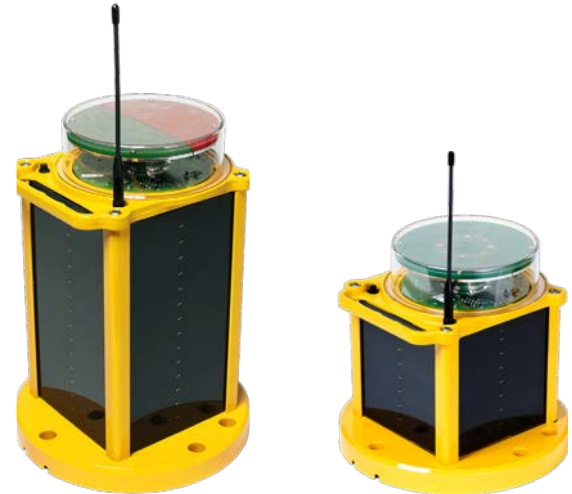
A704 Accessories

MOUNTING HARDWARE		
REF.	PART NO.	DESCRIPTION
1	82612	Frangible floor flange
2	76520	Anchor bolt kit
3	76516	Standard bolt kit, 700 series (4x stainless steel bolts)
4	81802	16 x 16" rubber mat
5	65714	Standard mounting plate
6	65711	Frangible coupling, 1.5" pipe x 2 thread
7	38925	2" hub stake - 15" long
-	65717	Extended mounting plate

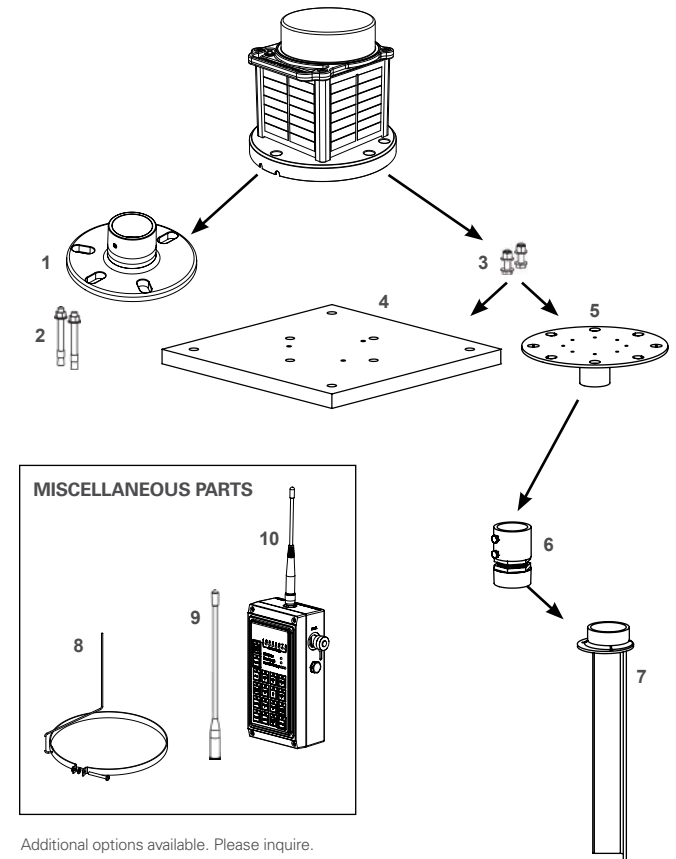
BATTERY/CHARGER		
REF.	PART NO.	DESCRIPTION
-	72890	Battery kit, A704 Compact
-	72891	Battery kit, A704 Standard
-	72892	Battery kit, A704 Large
-	74314	Battery charger, A704 with military charge port, 100-240 VAC, 50/60 Hz
-	69885	Battery charger, A704 battery pack and barrel charge port, 100-240 VAC, 50/60 Hz

OPTICS		
REF.	PART NO.	DESCRIPTION
-	74690	Optical shield, 180 degree, several models
-	Inquire	Head kit, several models

MISCELLANEOUS PARTS		
REF.	PART NO.	DESCRIPTION
8	40865	A704 series bird deterrent
9	56150	Replacement antenna
10	83227	Handheld Controller
-	48984	Installation tool kit with 5/32" security bit for head/battery changes and small socket set



A704 SERIES MOUNTING HARDWARE OPTIONS



Additional options available. Please inquire.