

# OL4 Solar Warning Light

## Applications

The OL4 is a high-performance light designed to perform reliably at tough industrial locations including rail yards, construction zones, mining operations and more. Suitable for permanent, temporary or emergency installations, the OL4 is unrivalled by any other hazard marking or barricade light currently available.

- Dusk-to-dawn operation.
- Lightweight, self-contained.
- Sophisticated solar energy management.
- Intuitive on-board user interface.
- Intelligent deployment settings for reliable performance in a wide-range of locations.
- Proven technology platform.

## Easy Installation and Relocation

Lights are immediately operational following a simple installation process. No specialized work crews required.

## Self-contained and Low-maintenance

All components are safely encased in a durable, rugged enclosure. The OL4 includes a replaceable battery pack that extends the total cost of ownership beyond five years and offers significant cost savings.

## Intelligent Deployment Settings

The OL4 has the unique ability to be tuned to its precise installation location, protecting it against improper configuration.

## Unprecedented Reliability

Microprocessor Energy Management System (EMS) monitors and adapts to environmental conditions for consistent operation and long life under the toughest conditions.

## Designed and Tested to Tough Industrial Standards

MIL-STD-202G: Humidity, Immersion, Vibration, Shock; MIL-STD-810G: Solar Radiation, Salt-Fog; EN 60945: ESD, EMI, EMC; IP68; L70. The OL4 is acceptable for barricade and construction applications at Commercial Part 139 Airports under FAA Advisory Circular AC 150/5370-2E. The OL4 Blue is compliant with the requirements of ICAO Annex 14, Volume 1, Fourth Edition dated July 2004.

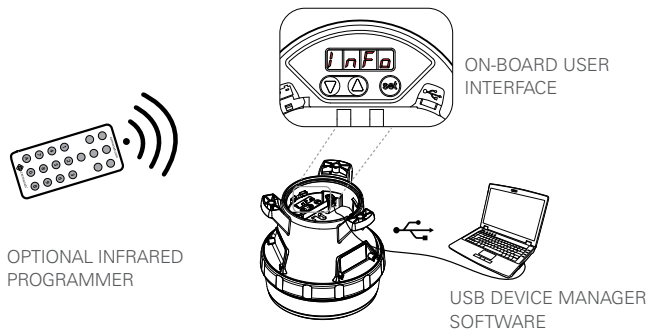
## User-friendly Design

On-board user interface, optional infrared remote and USB device manager software offer easy configuration and programming.

## Green Solution

Recyclable batteries and a RoHS compliant design combined with natural solar charging ensure the lightest environmental footprint.



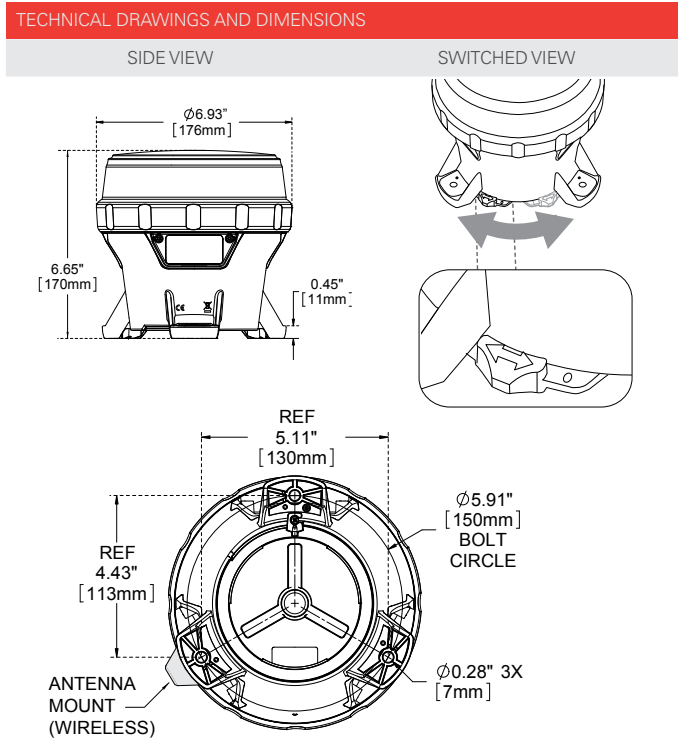
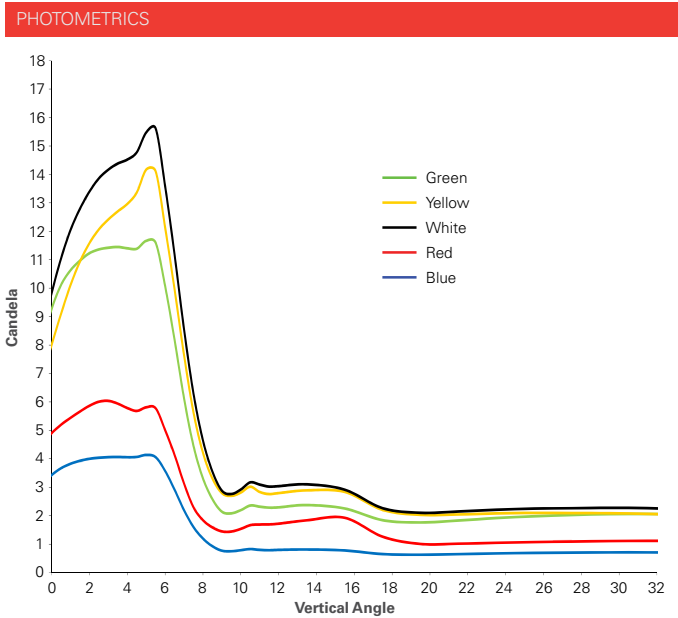


SPECIFICATIONS	
Solar Panel	High-efficiency cells with bypass and blocking diode function Maximum power point tracking (MPPT) for optimal energy collection
Battery	Tool-less replaceable and recyclable best-in-class battery pack with extreme temperature range Battery status feedback of Good, Charge or Bad (Replace)
Light Source	High power LED, color-specific temperature corrected LED drivers provide consistent intensity under all operating conditions
Intensity	Greater than 10 cd intensity, steady-on (see photometric plots) 18 cd peak intensity, flashing, 12.5% duty cycle (Red LEDs)
Flash Patterns	256+
Construction	Premium grade UV resistant, polycarbonate/polysiloxane co-polymer body and lens material Double O-ring sealing with waterproof vent
Colors	Red, blue, yellow, green, white ICAO and SAE25050 (FAA) compliant chromaticity
Color Indicator	Yes, FAA Eng. Brief 67 compliant
Temperature	-45 to 124 °F (-43 to 51 °C) operating -45 to 176 °F (-43 to 80 °C) storage
Weight	3.5 lbs (1.58 kg)
Wind Loading	400 mph (180 m/s)
Automatic Light Control (ALC)	When enabled, ALC will dynamically reduce brightness in response to unusually low amounts of sunlight to ensure continued operation.

ORDER OPTIONS			
MODEL ▼	OUTPUT ▼	SWITCH ▼	CONTROL ▼
OL4	RED BLUE GREEN WHITE YELLOW	SWITCHED NON-SWITCHED	NONE GPS

ACCESSORY ORDERING CODES	
Additional Bird Deterrent (1 ships with each light)	57003
Bottom Cover Replacement Kit	57392 (With Switch) 57393 (Without Switch)
Battery Replacement Pack	72835
Battery Charger (includes multiple ends for int'l use)	59188 (100 - 240 VAC)
USB Cable	57394
Device Manager Software	Contact Customer Support
Infrared Programmer	69899
Magnetic Mounting Kit (3 x magnets and hardware)	76296

Additional accessories and mounting options available. For a complete list consult our accessories specification sheet.



+1.800.806.3548 US & Canada  
 +1.916.394.2800 Worldwide  
 +1.916.394.2809 Fax

[www.flightlight.com](http://www.flightlight.com)  
[sales@flightlight.com](mailto:sales@flightlight.com)

Flight Light Inc., 2708 47th Ave.  
 Sacramento, CA, 95822, USA

**OL4 SERIES ACCESSORIES**

**MOUNTING**

REF.	PART NO.	DESCRIPTION
2A	66699	Standard mounting plate (14" installed height)
2B	69752	Extended mounting plate (24" installed height)
3	65711	Frangible coupling, 1.5" pipe x 2 thread
3B	74239	OL4 mounting bracket
4	50144	Floor flange, 2" thread
-	61867	Magnetic mounting kit (3 x magnets) ideal for mounting on cranes
-	61876	Magnetic sign mounting kit
-	61869	Fence mounting kit with hardware

**BATTERY & HARDWARE**

REF.	PART NO.	DESCRIPTION
-	72835	Battery replacement kit
1A	38334	Bolt kit (1/4-20 UNC x 1.5" long x3)
5	46397	Wedge anchor bolt kit (3/8" x 3.75" long x4)
1B	56578	Security bolt kit (1/4-20 UNC x 1.5" long x3) driver or socket not included

**TOOLS**

REF.	PART NO.	DESCRIPTION
6	69899	IR programmer, slim
-	53284	Security bolt kit driver
-	53285	Security bolt kit socket
-	59198	Bottom cover tool
-	57394	USB harness for device manager

