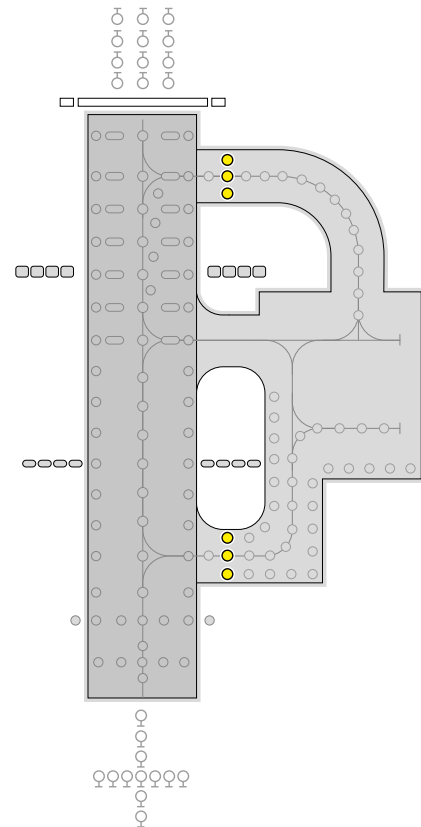
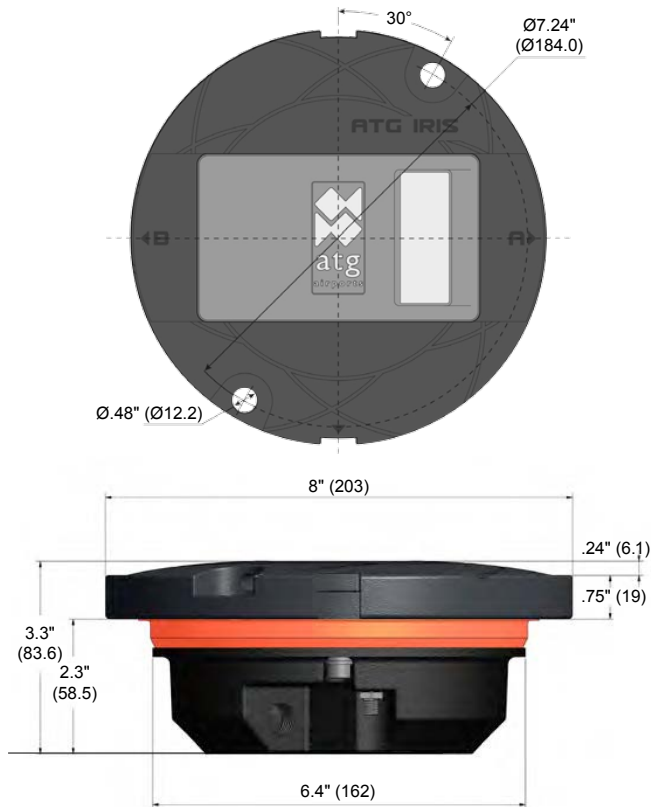


# IR852SO | L-852SO(L) IRIS LED 8" Stopbar Intensity Lighting Solutions, Offset Straight Section

## Compliance and Applications

- ICAO Annex 14
- FAA AC150 5345 46
- FAA Engineering Brief 67
- IEC61827
- MAA (Military Aviation Authority)

IRIS LED high intensity, bi-directional/uni-directional stopbar (offset straight sections) fixture suitable for CAT III all weather operation airfield ground lighting (agl) systems. The goal of the IRIS range is to enhance the efficiency of an airfield by optimizing power consumption, increasing reliability and reducing costs to the airport.



Ordering Codes IR852S ○(L) ○ ○ ○ ○ ○ ○ ○ ○

**Application**  
L-852O(L) (Offset)

**Beam Type**  
**A Side**  
 2 = Straight (Offset)  
 6 = Blank  
 .....  
**B Side**  
 2 = Straight (Offset)  
 6 = Blank

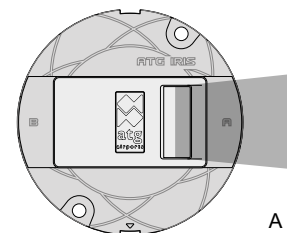
**Color**  
**A Side**  
 R = Red  
 B = Blank  
 .....  
**B Side**  
 R = Red  
 B = Blank

**Specification**  
1 = ICAO

**Connections**  
 1 = 1 Plug Bi Pin  
 2 = 2 Plug Bi Pin

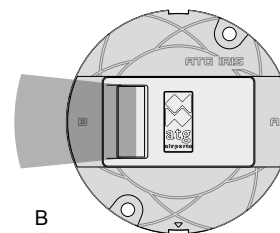
**Open Circuit (Fail Open) Feature**  
 0 = No Open Circuit  
 1 = Open Circuit

Beam Options



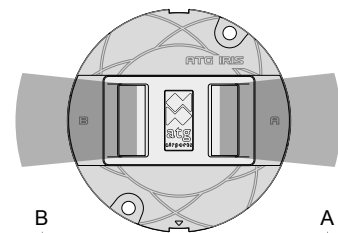
IR852SO(L)

Uni-Directional (Side A - Offset)



IR852SO(L)

Uni-Directional (Side B - Offset)



IR852SO(L)

Bi-Directional

Additional optional features are available upon request.

**Packaging**

- Net weight: 6.88 lb. (3.12Kg)
- Gross weight: 7.76 lb. (3.52Kg) (boxed)
- Box: 10.2" (260mm) (L) x 10.2" (260mm) (W) x 6.9" (175mm) (H)

## Electrical Performance

Main Beam Aperture		Color	Typical Power Consumption - Watts (VA) @ 6.6A				
Horiz(°)	Vert(°)		Per Beam Watts	Fixture*		Tx Primary**	
				Watts (VA)	PF	Watts (VA)	PF
-10 to 10	1 to 8	RED/RED	5.34/5.34	24.74 (24.77)	0.996	35.11 (35.66)	0.985
-10 to 10	1 to 8	RED/BLK	5.34/-	14.63 (14.71)	0.991	25.00 (25.79)	0.969

\* as measured at the input leads of the fixture.

\*\* as measured across the primary winding of an appropriately sized isolation transformer with a total fixture and transformer secondary length not exceeding ~ 1.85m (72").

Notes: For Bi-Directional twin lead option use Red/Blank electrical performance.  
Isolating transformer shall be suitably sized to accommodate specific secondary and other applicable losses.

## Environmental Conditions

- ▶ Ambient Temperature -55 °C to +55°C (-67 °F to +131°F)
- ▶ Storage Temperature -55°C to +55°C (-67 °F to +131°F)
- ▶ Ingress Protection IP67

## Photometry

### Specification

#### Taxiway Centerline - Straight (Offset) Green

Color	Red
Max/Min Intensity Ratio	<3.0
Main rect. average intensity	200 cds
Main rect. minimum intensity	100 cds
Second rect. minimum intensity	20 cds

### Typical Measured Values

#### Taxiway Centerline - Straight (Offset) Green

Color	Red
Max/Min Intensity Ratio	2.3
Main rect. average intensity	452 cds
Main rect. maximum intensity (A)	563 cds
Main rect. minimum intensity (B)	245 cds
Second rect. minimum intensity	115 cds

Intensity Chart - IRIS Stopbar (Straight/Offset)

