

Red Solar Aviation Light

AV-OL-60 Avlite

Compliance

- FAA AC150/5370-2F for construction and barricade installations
- ICAO Annex 14 Volume 1, 'Aerodrome Design and Operations', paragraph 5.3.17.7.

Applications

- Solar Barricade Light
- Solar Caution Light
- Solar Hazard Light
- Solar Taxiway Light (ICAO)
- Solar Obstruction Light

Features

- Solar powered, self-contained
- Easy installation
- Integrated solar/battery system
- Internal high-performance solar module to maximize solar collection
- IP68 waterproof rating
- Internal user-replaceable battery in sealed compartment
- Ultra-high intensity LEDs (no changing lamps ever)
- Molded from UV-stabilized LEXAN® polycarbonate
- Automatic night activation

The AV-OL-60 is a field proven, low maintenance, self-contained solar LED light that is suitable for a variety of applications including general hazard, caution, barricade and low-intensity obstruction lighting.

Manufactured using latest in LED technology, the popular AV-OL-60 model boasts user-adjustable intensity and flash code settings that can be easily modified on site as required. Once activated, the light is ready for immediate operation and requires no operator intervention after installation.

Utilizing the high performance built-in solar module to the charge the battery during daylight hours and the internal photo diode to detect ambient light, the AV-OL-60 achieves true self-sufficient dusk-till-dawn operation in a small form factor environmentally sealed package that can be installed in minutes.

The versatile nature of the AV-OL-60 means it is also suitable for a range of taxiway applications.

Optional ON/OFF Switch & External Charging Port

This model can also be fitted with an optional, external ON/OFF switch for manual operation and/or an optional charging port

+1.800.806.3548 US & Canada
 +1.916.394.2800 Worldwide
 +1.916.394.2809 Fax

www.flightlight.com
sales@flightlight.com

Flight Light Inc., 2708 47th Ave.
 Sacramento, CA, 95822, USA

Product specifications may be subject to change without prior notice. Verify current specifications when ordering. © Flight Light Inc. | 8/19/2017

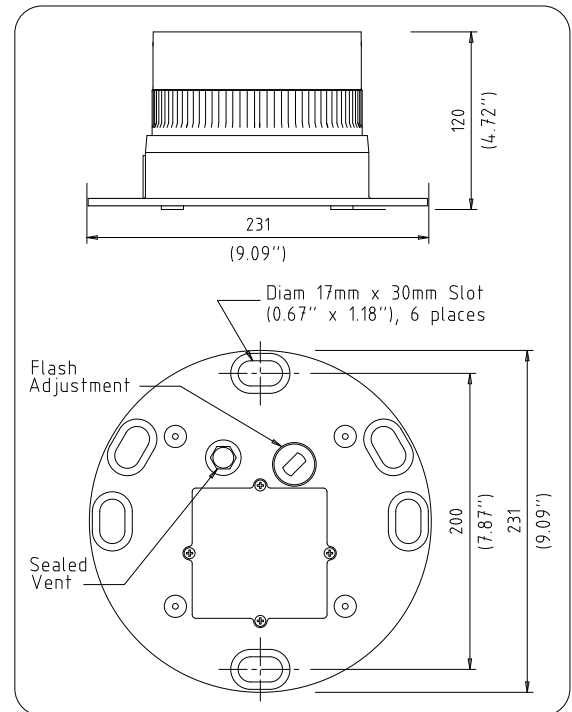


for charging the battery while stored for extended periods.

Optional Larger Battery Pack

For regions where additional autonomy is required, this unit can also be supplied with a larger 16Ah battery pack.

SPECIFICATIONS * AV-OL-60	
Light Characteristics	
Light Source	1 LED
Available colors	Red as standard. Other colors available on request, including IR
Peak Intensity (cd)†	10
Horizontal Output (degrees)	360
Available Flash Characteristics	>250 including steady-on (user-adjustable)
Intensity Adjustments	Low: 25% Medium: 50% High: 100%
LED Life Expectancy (hours)	>100,000
Electrical Characteristics	
Operating Voltage (V)	3.6
Power (W)	@ 100% intensity: 0.2W
Temperature Range	-40 to 80°C
Solar Characteristics	
Solar Module Type	Multicrystalline
Output (watts)	1.4
Charging Regulation	Microprocessor controlled
Power Supply	
Battery Type	High grade NiMH - Environmentally friendly
Battery Capacity (Ah)	8
Nominal Voltage (V)	3.6
Autonomy (nights)	Steady-on: 8Ah = 12 nights 16Ah (optional) = 24 nights
Physical Characteristics	
Body Material	LEXAN® Polycarbonate - UV stabilized
Lens Material	LEXAN® Polycarbonate - UV stabilized
Lens Diameter (mm/inches)	140 / 5½
Lens Design	External optics with interior flute design
Mounting	6 x 17mm holes on 200mm PCD
Height (mm/inches)	120 / 4¾
Width (mm/inches)	231 / 9¼
Mass (kg/lbs)	1.1 / 2¾
Product Life Expectancy	12 years plus
Environmental Factors	
Humidity	0 to 100%, MIL-STD-810F
Icing	3.41kg per square cm / 48.5lbs per square inch
Wind Speed	Up to 160kph / 100mph
Shock	MIL-STD-202G, Test Condition G, Method 213B
Vibration	MIL-STD202G, Test Condition B, Method 204
Certifications	
CE	EN61000-6-3:2007. EN61000-6-1:2007
Quality Assurance	ISO9001:2008
Waterproof	IP68
Intellectual Property	
Patents	US Pat. No. 6,667,582. AU Pat. No. 778,918
Trademarks	AVLITE® is a registered trademark of Avlite Systems
Warranty *	
3 year warranty	
Options Available	
<ul style="list-style-type: none"> • IR LEDs • External ON/OFF Switch • External Battery Charging Port • 16Ah battery • Solar Booster™ 	



• Specifications subject to change or variation without notice
 * Subject to standard terms and conditions
 † Intensity setting subject to solar availability

