

# ZA292 | L-852E, L-852F, L-852T

## Taxiway Omni-Directional Inset Light



### Compliance

- FAA Certified: L-852T (AC 150/5345-46D)
- FAA Compliant: L-852E, L-852F (AC 150/5345-46D)
- ICAO Annex 14 circular guidance 5.3.6, 5.3.9.8, 5.3.9.9
- BS3224 Part 5, inset fittings
- IEC 61827
- STANAG 3316 Annex C fig 3, taxiway edge 5.3.18.7, 18.8 apron lights 5, 3, 27

### Application

The ZA292 is an omni-directional inset fixture for taxiway and apron edge applications. Suitable for use in 6.6A airfield lighting circuits normally supplied from 1 x 45W, 65W or 100W isolating transformer.

### Features

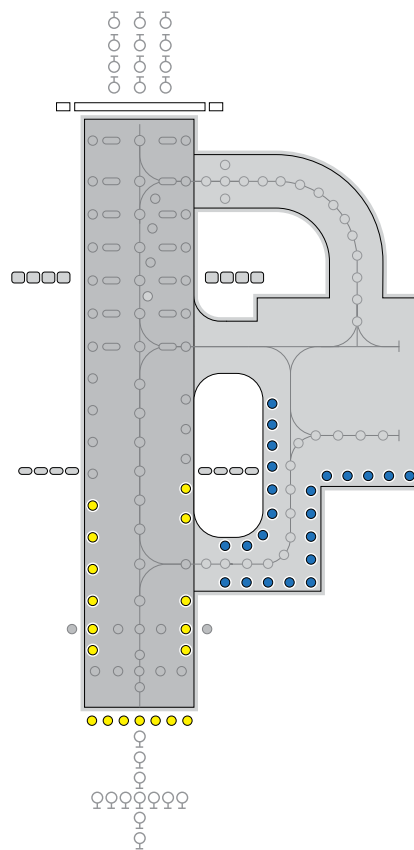
- Body casting manufactured from aluminum alloy for lightness, strength and durability.
- Long life lamps (objective life of 1,500 hours at full brilliancy).
- Prism removal and replacement achieved without the need for adhesive or sealants.
- Color beam variations achieved by dichroic coated or colored glass.
- Lamp by-pass options available if required.
- Pre-focused optics to simplify maintenance procedures.
- Low profile .39" (10mm).
- Commonality of parts with the ZA181 and ZA280 inset fixtures.
- Light channel within .2" (5mm) of grade.
- Natural anodized finish (as standard), powder coated NATO green or golden yellow (special order).

### Electrical supply

Suitable for use in 6.6A airfield lighting circuits normally supplied from 1 x 45W, 65W or 100W isolating transformer. 120V and 240V mains supply versions also available. Power consumption is either 30W, 36W, 40W, 49W or 105W depending upon type of lamp fitted.

### Packaging

- Net weight: 6.6 lb. (3Kg)
- Gross weight: 7.7 lb. (3.5Kg)
- Box: 10" (254mm) (w) x 10" (254mm) (d) x 10" (254mm) (h)



**Specification**

TYPE: Blue omni-directional, taxiway, or low intensity taxiway edge and circular guidance.

The taxiway light shall comply with ICAO Annex 14 for use in category I, II and III all weather operations, CAP168, BS3224 Part 5, FAA and STANAG 3316. Fixtures shall be modular in design with the main casting manufactured in aluminum alloy, suitably protected against corrosion and finished in natural anodized or golden yellow or NATO green.

The optical system shall comprise of a 48 MRCS reflector lamp. One glass prism refractor shall be accurately located in the main casting, without the need for additional adhesives or sealants, to direct the light beams such that no re-focusing is required on installation, maintenance or in service.

Lamp replacement shall be easily effected from the bottom of the fixture.

The light fixture shall have an upper surface forming a smooth sloping face projecting not more than .39" (10mm) above the pavement surface. The fixture shall resist all stresses imposed by impact, rollover and static loads of present day aircraft without damage to the fixture or to aircraft and vehicle tires.

**Ordering Codes**

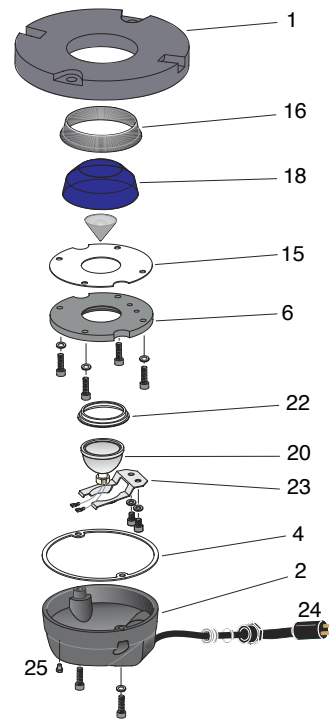
FIXTURE	COLOR	LAMP WATTAGE*
80-ZA292A	G: Green Y: Yellow R: Red B: Blue W: White	48: 48W, 6.6A (L852T, E) 105: 105W, 6.6A (L852F)

\* Also available in voltage powered, please contact us.

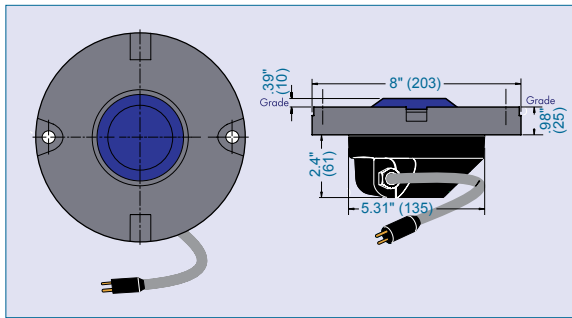
Anodized finish fixtures (7.25" B.C.): Order with 30-AA122820 adapter ring if mounting on L868B base, sold separately. Golden yellow finish fixtures (7" B.C.): Order with 80-009090 adapter ring if mounting on L868B base, sold separately (golden yellow fixtures restricted to existing customers and replacements).

**Components**

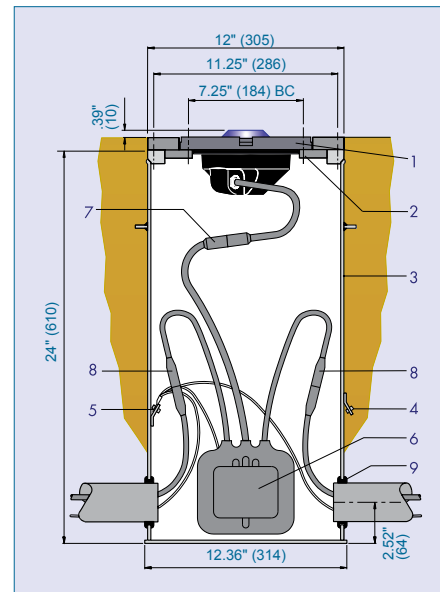
1	Body Casting (Std)	
2	Bottom Cover Casting	80-040206
3	Elkay Gland Set	80-021114/5/6
4	Bottom Cover Gasket	80-033080
6	Prism Clamp	80-021307
8	Bottom Cover Spinning Clamp	80-021311
15	Prism Clamp Gasket	80-021309
16	Prism Gasket	80-033090
18	Blue Prism Dome	80-019190
ALT	White (Clear) Prism Dome	80-016080
ALT	Green Prism Dome	80-019193
ALT	Yellow Prism Dome	80-019191
ALT	Red Prism Dome	80-019182
20	48W 6.6A Reflector Lamp	LA-008065
ALT	105W 6.6A Reflector Lamp	LA-008072
22	Lamp Gasket	80-033077
23	Lamp Retaining Spring	80-032039
24	B-Type Male Lead	TRC-10518-114-DO2
25	Pressure Test Plug	80-021256
ALT	Schrader Tank Valve	80-021327
31	120V/240V lamp holder	80-015057



ZA292 General Arrangement

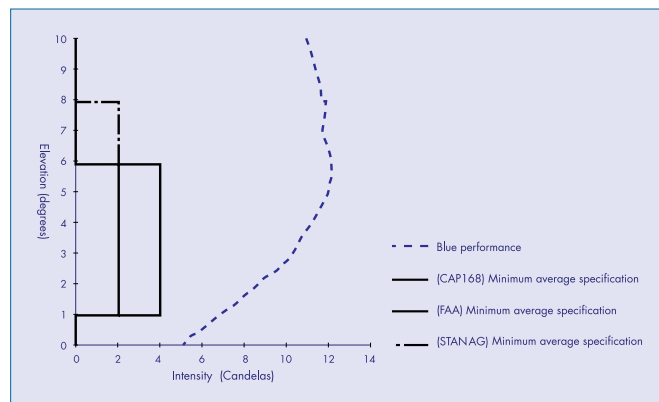


ZA292 IEC with FAA L-868 Base

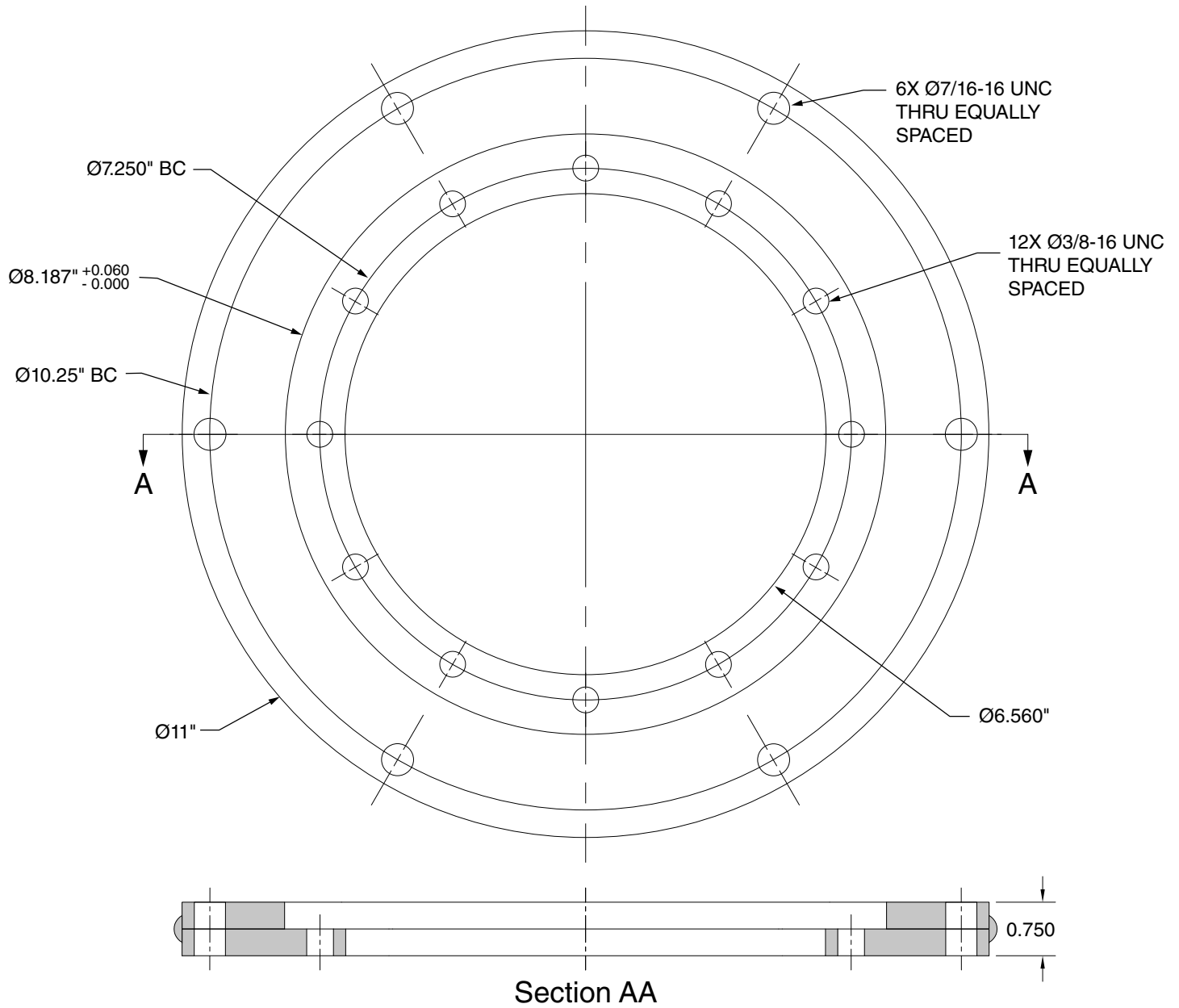


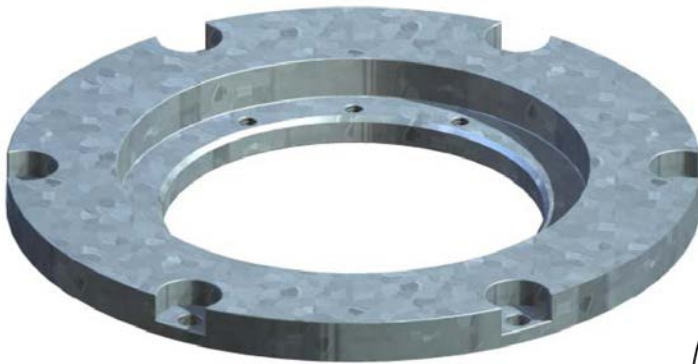
- 1. ZA292(I) fixture
- 2. 12" mounting adapter
- 3. FAA L-868 base (one piece)
- 4. Outer earth terminal (optional)
- 5. Inner earth terminal (optional)
- 6. Isolating transformer
- 7. Secondary connection
- 8. Primary connection
- 9. Grommet

Photometric Performance



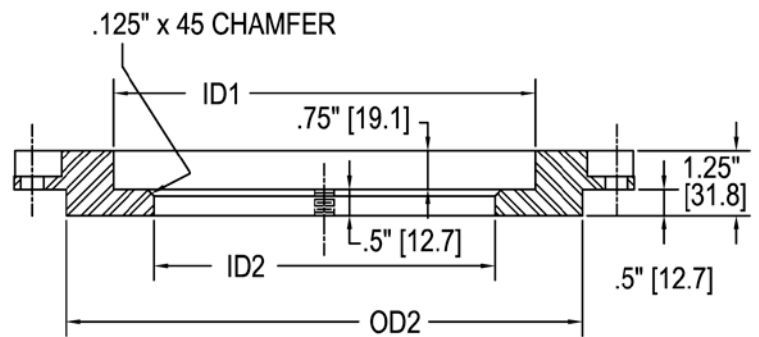
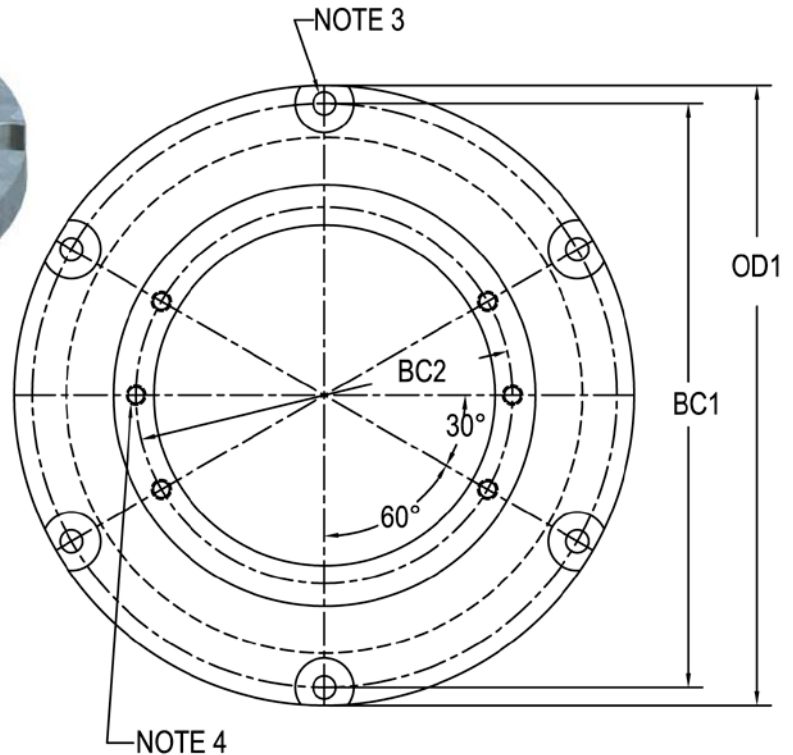
### L-867 to 8" One Piece Adapter Ring (30-86712-25)





**L-868B 8" -12" Adapter/Flange Ring  
(30-AA122820)**

1. Approved and Certified to FAA Advisory Circular AC150/5345-42F. Size: B=12"
  2. Adapter Plates are galvanized to ASTM-A123/A123M-02.
  3. (6) 7/16" Ø equally spaced, thru holes with 1-1/8" Ø x 1/2" deep counter bore.
  4. Standard Plate: (6) 3/8"-16 tapped holes.  
Metric Plate: (6) M10-1.5 tapped holes.
  5. Standard Adapter Plates are shipped with:
    - (2) 3/8"-16 x 1-1/4" SS hex head bolts (10650202)
    - (2) 3/8", 2 piece locking washers (10680607)
    - (1) Bolt Set (6100) containing:
      - (6) 3/8"-16 x 1" SS hex head bolts (10650198)
      - (6) 3/8", 2 piece locking washers (10680607)
- Metric Adapter Plates are shipped with:
- (2) M10x1.5x30mm SS hex head bolts (10652820)
  - (2) 3/8", 2 piece locking washers (10680607)
  - (1) Bolt Set (6100M) containing:
    - (6) M10x1.5x30mm SS hex head bolts (10652820)
    - (6) 3/8", 2 piece locking washers (10680607)



TYPE	OD1	BC1	OD2	ID1	BC2	ID2
30-AA122820	11.938" [303.2]	11.25" [285.8]	9.938" [252.4]	8.125" [206.4]	7.25" [184.2]	6.563" [166.7]

Add "M" to the end of the part number to note Metric Adapter Plate

[ ] = metric dimensions in mm