



Flight Light Inc.  
 2708 47th Ave.  
 Sacramento, California, U.S.A.  
 95822-3806



PH (916) 394-2800    FX (916) 394-2809  
 TF (800) 806-3548    EM info@flightlight.com

atg airports ZA181 High Intensity Runway  
 Centerline and Touch Down Zone Inset Light  
 FAA Compliant: L-850A & B

## Compliance and Applications

FAA Compliant: L-850A, L-850B  
 AC 150/5345-46D  
 NATO Stanag 3316  
 ICAO Annex 14

Category I, II and III all weather operation airfield lighting systems.

Suitable for use as high intensity inset runway centerline and touch down zone lights.

## Features

- Lightweight and robust aluminum alloy construction.
- Prism removal and replacement achieved without need for adhesives or sealants.
- Pre-focused optics simplify maintenance.
- Pressure test plug ensures moisture-proof light cavity.
- Installation and maintenance manual AVD 104.

## Specifications

- Low profile: 0.47" (12mm) projection.
- Long life lamps: 1,500 hours at full intensity. Over 3,500 hours in normal use.
- 6.6A from 45W, 100W, or 200W isolating transformer. TDZ uses 1@45/49W lamp. RWCL uses 2@45/49W lamps.
- Corrosion resistant anodized finish. Stainless steel fasteners.
- Net weight 11 lb. (5kg). Gross weight 13.2 lb. (6kg). Carton size 8.7 in. x 8.7 in. x 5 in. (220mm x 220mm x 126mm).



## Application Variations

FAA#	Application	Config.	Lamps	Color	Code
L-850A ..	Centerline.....	Bidirectional.....	2.....	White/White.....	80-ZA181iWW
L-850A ..	Centerline.....	Bidirectional.....	2.....	White/Red.....	80-ZA181iWR
L-850A ..	Centerline.....	Unidirectional.....	1.....	Red/Blank.....	80-ZA181iRX
L-850B...	Touch down zone ...	Unidirectional.....	1.....	White/Blank.....	80-ZA181iWX

## Ordering Code

Fixture	Color (LH)	Color (RH)	Plug Leads	Lamps	Bypass
80-ZA181i	W: White R: Red X: Blank	W: White R: Red X: Blank	1: Single 'B' type 2: Two 'B' type	1: Single 45/49W 2: Two 45/49W 3: Single 105W 4: Two 105W	B: Lamp bypass Blank: No bypass

If mounting on L-868B base, order with 12" FAA L-868B mounting adapter (30-AA122820), sold separately.

80-ZA181i					
-----------	--	--	--	--	--

Visit our web site: [www.flightlight.com](http://www.flightlight.com)



Flight Light Inc.  
 2708 47th Ave.  
 Sacramento, California, U.S.A.  
 95822-3806

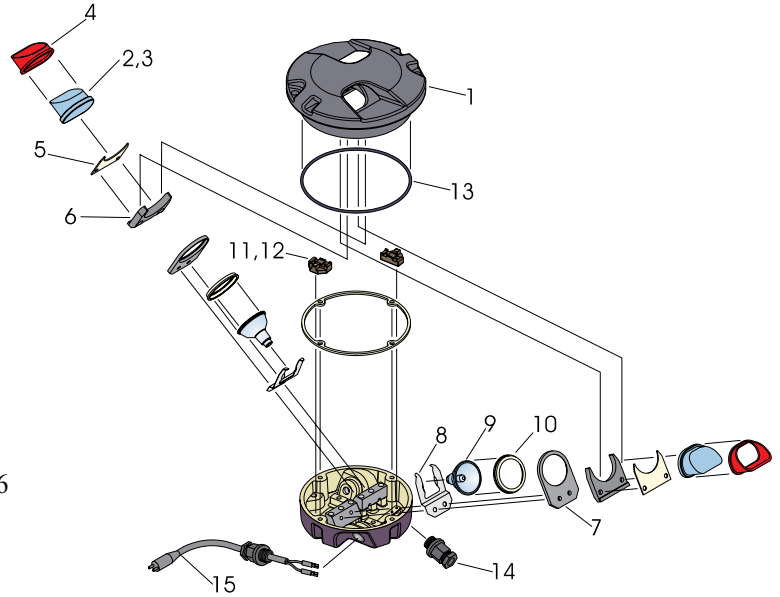


atg airports ZA181 High Intensity Runway  
 Centerline and Touch Down Zone Inset Light  
 FAA Compliant: L-850A & B

PH (916) 394-2800 FX (916) 394-2809  
 TF (800) 806-3548 EM info@flightlight.com

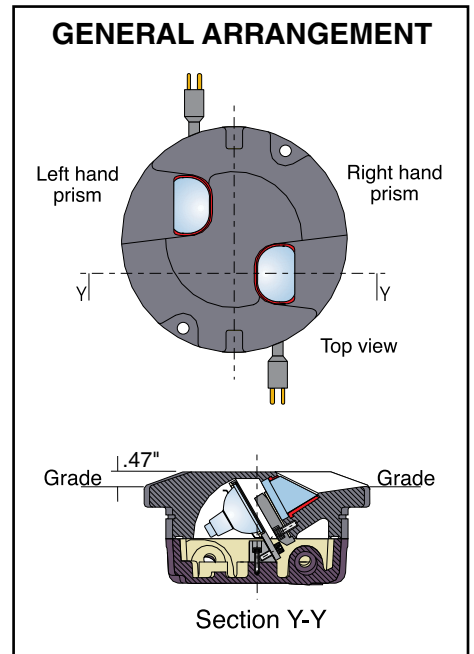
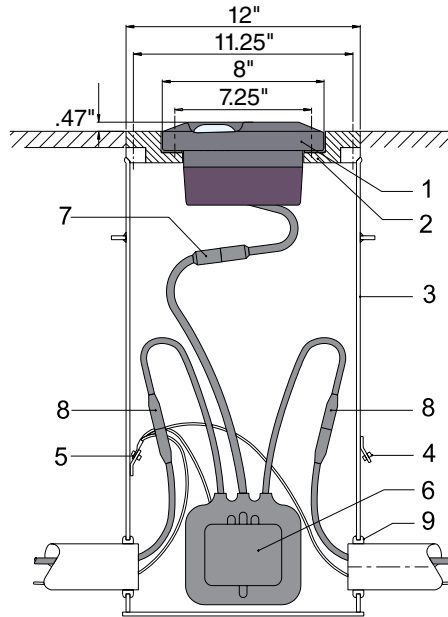
### Components

1	Body casting	
2/3	White (clear) prism	80-016069
2/3	Red dichroic prism	80-019141
2/3	Blank for prism aperture	80-040092
4	Prism gasket	80-033058
5	Prism clamp gasket	80-033069
6	Prism retaining clamp	80-032037
7	Lampholder	80-032040
8	Lamp retaining spring	80-032039
9	Lamp, MR16, 6.6A, 49W	80-008065
10	Lamp gasket	80-033077
11	Lamp by-pass disc assembly	80-031030
12	45W by-pass disc	80-021134
13	'O' ring seal	80-033070
14	Cable gland assembly	80-021114/5/6
15	'B' type plug lead	80-013001



### ZA181 on L-868 Base

1. ZA181 fixture
2. 12" FAA L-868B mounting adapter (30-AA122820)
3. FAA L-868 base (one piece)
4. Outer earth terminal
5. Inner earth terminal
6. Isolation transformer (L-830)
7. Secondary connection
8. Primary connector (L-823)
9. Grommet



Visit our web site: [www.flightlight.com](http://www.flightlight.com)



Flight Light Inc.  
2708 47th Ave.  
Sacramento, California, U.S.A.  
95822-3806



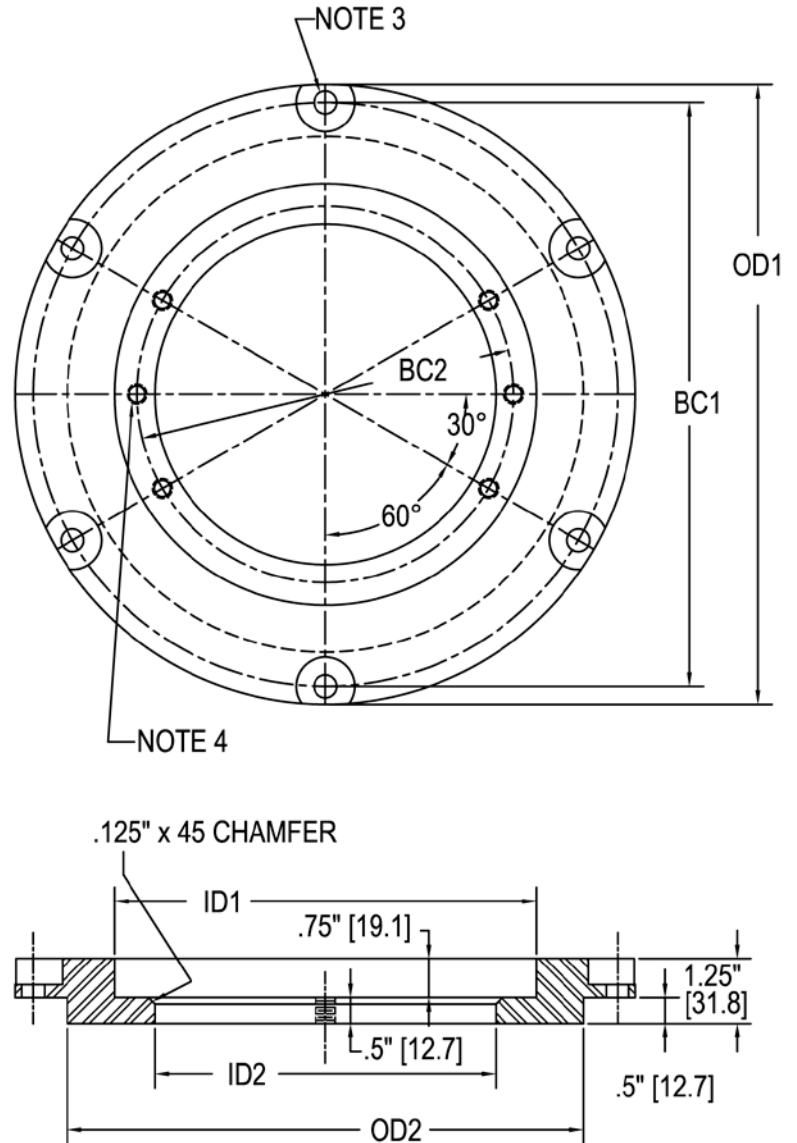
PH (916) 394-2800 FX (916) 394-2809  
TF (800) 806-3548 EM info@flightlight.com

atg airports ZA181 High Intensity Runway  
Centerline and Touch Down Zone Inset Light  
FAA Compliant: L-850A & B



### L-868B 8''-12'' Adapter/Flange Ring (30-AA122820)

1. Approved and Certified to FAA Advisory Circular AC150/5345-42F  
Size: B=12"
  2. Adapter Plates are galvanized to ASTM-A123/  
A123M-02
  3. (6) 7/16"  $\phi$  equally spaced, thru holes with 1-1/8"  
 $\phi$  x 1/2" deep counter bore
  4. Standard Plate: (6) 3/8"-16 tapped holes  
Metric Plate: (6) M10-1.5 tapped holes
  5. Standard Adapter Plates are shipped with:
    - (2) 3/8"-16 x 1-1/4" SS hex head bolts (10650202)
    - (2) 3/8", 2 piece locking washers (10680607)
    - (1) Bolt Set (6100) containing:
      - (6) 3/8"-16 x 1" SS hex head bolts (10650198)
      - (6) 3/8", 2 piece locking washers (10680607)
- Metric Adapter Plates are shipped with:
- (2) M10x1.5x30mm SS hex head bolts (10652820)
  - (2) 3/8", 2 piece locking washers (10680607)
  - (1) Bolt Set (6100M) containing:
    - (6) M10x1.5x30mm SS hex head bolts (10652820)
    - (6) 3/8", 2 piece locking washers (10680607)



TYPE	OD1	BC1	OD2	ID1	BC2	ID2
30-AA122820	11.938" [303.2]	11.25" [285.8]	9.938" [252.4]	8.125" [206.4]	7.25" [184.2]	6.563" [166.7]

Add "M" to the end of the part number to note Metric Adapter Plate

[ ] = metric dimensions in mm

Visit our web site: [www.flightlight.com](http://www.flightlight.com)