



Flight Light Inc.
2708 47th Ave.
Sacramento, California, U.S.A.
95822-3806



PH (916) 394-2800 FX (916) 394-2809
TF (800) 806-3548 EM info@flightlight.com

HBM 400PS
L-802A
Airport Rotating Beacon

Airport Rotating Beacon Model: HBM 400PS

Compliance

FAA: L-802A A/C150/5345-12
(Current Edition)

ICAO: Annex 14, para 5.3.3

ETL Certified

Applications

L-802A Rotating Beacons are designed primarily for night operation as identification and location markers for airports.

Key Specifications

- Patented belt-drive system eliminates the lubrication maintenance required by conventional gear-drive beacons (U.S. Pat. 5,339,224).
- Patented liquid-filled lamp connector, eliminating the slip rings and brushes found on conventional beacons (U.S. Pat. 5,816,678).
- Two 40,000 lumen, 400 watt pulse-start metal-halide lamps.
- Pulse-start lamps are fully bright in 3-5 minutes.
- 26,000 hour typical lamp life (6 years).
- One clear lens, one aviation green lens.
- NO maintenance except lamp replacement.
- All moving parts are permanently lubricated.
- Thermally-protected motor eliminates burnouts.
- Lamps preset 5° above horizontal, adjustable.
- 12 RPM rotation, 24 flashes/minute.
- Weatherproof steel cabinet, powder coated international orange.
- Optional stainless steel cabinet and bearings for highly corrosive environments.
- Class I temperature range: -30 to +55 °C (-22 to +131 °F).
- Class II temperature range: -55 to +55 °C (-67 to +131 °F).
- Tested to wind velocities of 100 mph.
- Optional photocell and/or tell-tale relay.
- Mountable on a Tipdown Pole.
- Power Consumption: 965W Class I, 1365W Class II.
- Manufactured in the USA.



Beacon Tipdown Pole

Visit our web site: www.flightlight.com



Flight Light Inc.
 2708 47th Ave.
 Sacramento, California, U.S.A.
 95822-3806



**HBM 400PS
 L-802A**

PH (916) 394-2800 FX (916) 394-2809
TF (800) 806-3548 EM info@flightlight.com

Airport Rotating Beacon

Ordering Information

Part Number	Description
L802A6116	120 VAC, 60 Hz, Class I
L802A6125	220-240 VAC, 50 Hz, Class I
L802A6126	220-240 VAC, 60 Hz, Class I
L802A6216	120 VAC, 60 Hz, Class II
L802A6225	220-240 VAC, 50 Hz, Class II
L802A6226	220-240 VAC, 60 Hz, Class II

NOTE: 220-240 VAC must be single wire with neutral

Options

Part Number	Description
L801/802 T/T HBM 120.....	Tell-tale Relay, 120 VAC
L801/802 T/T HBM 240.....	Tell-tale Relay, 220-240 VAC
4200-0000.....	Tower Mounting Kit

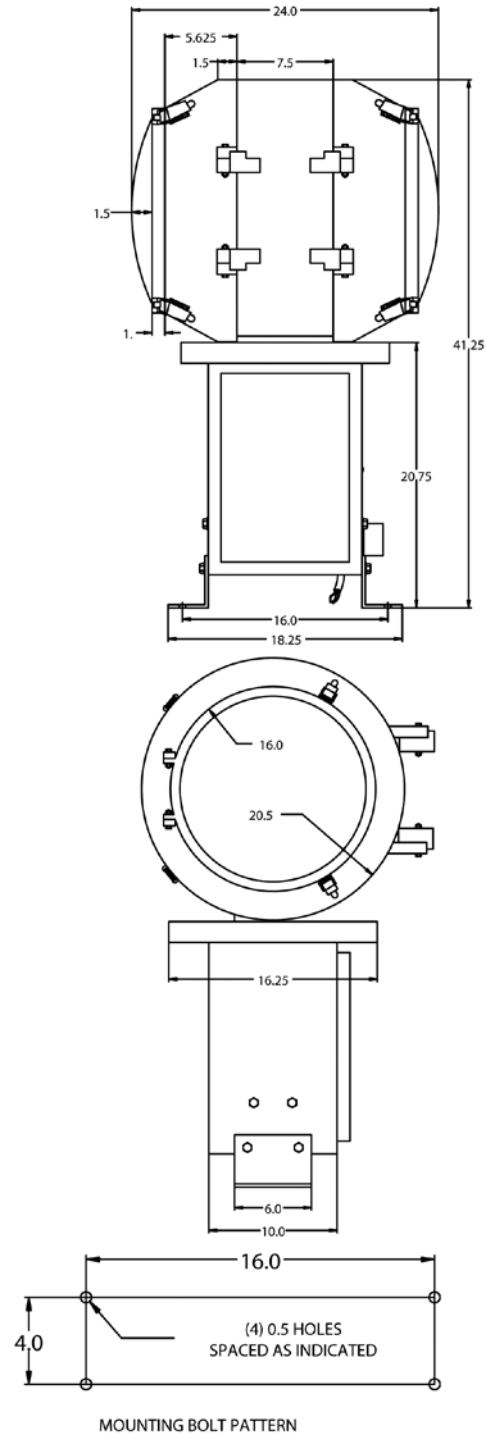
NOTE: Tell-tale relay option is not ETL-certified

Replacement Parts

Part Number	Description
0200-0021.....	Ballast Assembly, 60 Hz
0200-0022.....	Ballast Assembly, 50 Hz
0600-0003.....	Belt
2300-0003.....	Lamp Fuse, 10 amp
2300-0002.....	Motor Fuse, 1/2 amp
3400-0400/U/ED28/PS.....	Lamp, 400 watt
2800-0035.....	Lens, Clear
2800-0044.....	Lens, Green
0100-3825.....	Lens Clip

Shipping Information

Unpackaged Weight: 150 pounds
 USA Shipping Weight: 250 pounds
 USA Shipping Volume: 48"x42"x32"
 International Shipping Weight: 200 pounds
 International Shipping Volume: 48"x40"x32"



Visit our web site: www.flightlight.com