



Flight Light Inc.
2708 47th Ave.
Sacramento, California, U.S.A.
95822-3806



36" Refurbished Airport Rotating Beacon L-802A

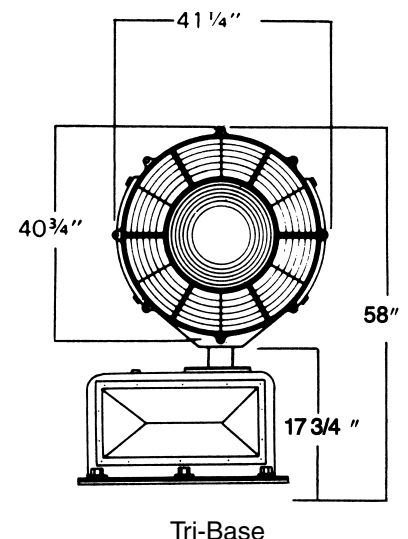
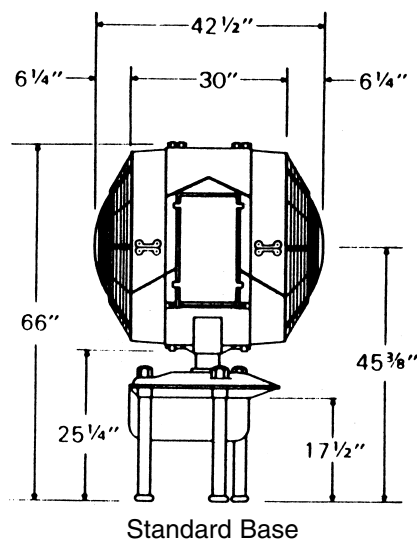
PH (916) 394-2800 FX (916) 394-2809
TF (800) 806-3548 EM info@flightlight.com

Applications

L-802A Rotating Beacons are designed primarily for night operation as identification and location markers for airports.

Key Specifications

- Patented stationary lamp system eliminates the gear lubrication maintenance required by conventional gear-drive beacons (U.S. Pat. 5,339,224)
- Qualifies for AIP funding
- Available for exchange or direct purchase
- 36,000 lumen, 400 watt metal-halide lamp
- 20,000 hour typical lamp life (3-4 years)
- One clear lens, one aviation green lens
- Thermally-protected motor eliminates burnouts
- Lamp preset 5° above horizontal, adjustable
- 12 RPM rotation, 24 flashes/minute
- All new stainless steel fasteners
- Plated steel parts
- All new Teflon-coated wire
- Weatherproof aluminum housing, powder coated international orange
- Winterization option available for cold climates
- Optional photocell and/or tell-tale relay
- Warranty 2 years on parts, 1 year on labor (excludes lamps)
- Power consumption: 635W, 1035W with winterization option
- Manufactured in the USA



Visit our web site: www.flightlight.com



Flight Light Inc.
 2708 47th Ave.
 Sacramento, California, U.S.A.
 95822-3806



**36" Refurbished
 Airport Rotating Beacon
 L-802A**

PH (916) 394-2800 FX (916) 394-2809
 TF (800) 806-3548 EM info@flightlight.com

Ordering Information

Part Number	Description
L802A1116BSE	120 VAC, 60 Hz, Standard Base, Customer Exchange
L802A1116BSS.....	120 VAC, 60 Hz, Standard Base, No Exchange
L802A1116BTE	120 VAC, 60 Hz, Tri-Base, Customer Exchange
L802A1216BSE	120 VAC, 60 Hz, Standard Base, Customer Exchange, with Heater Option
L802A1216BSS.....	120 VAC, 60 Hz, Standard Base, No Exchange, with Heater Option

NOTE: 220-240 VAC available, contact Flight Light.

Options

Part Number	Description
L802 T/T DCB 36....	Tell-tale Relay, 120 VAC

Replacement Parts

Part Number	Description
0200-0005.....	Ballast
0600-0001.....	Belt
2300-0005.....	Fuse, 10 amp
3400-0400U.....	Lamp, 400 watt
2800-0001.....	Lens, Left Outer Sector
2800-0002.....	Lens, Right Outer Sector
2800-0003.....	Lens, Outer Bullseye
2800-0033.....	Lens, Inner Clear
2800-0011.....	Lens, Inner Green

Shipping Information

Unpackaged Weight: 450 pounds
 Shipping Weight: 950 pounds
 Shipping Volume: 48"x48"x77"

Visit our web site: www.flightlight.com